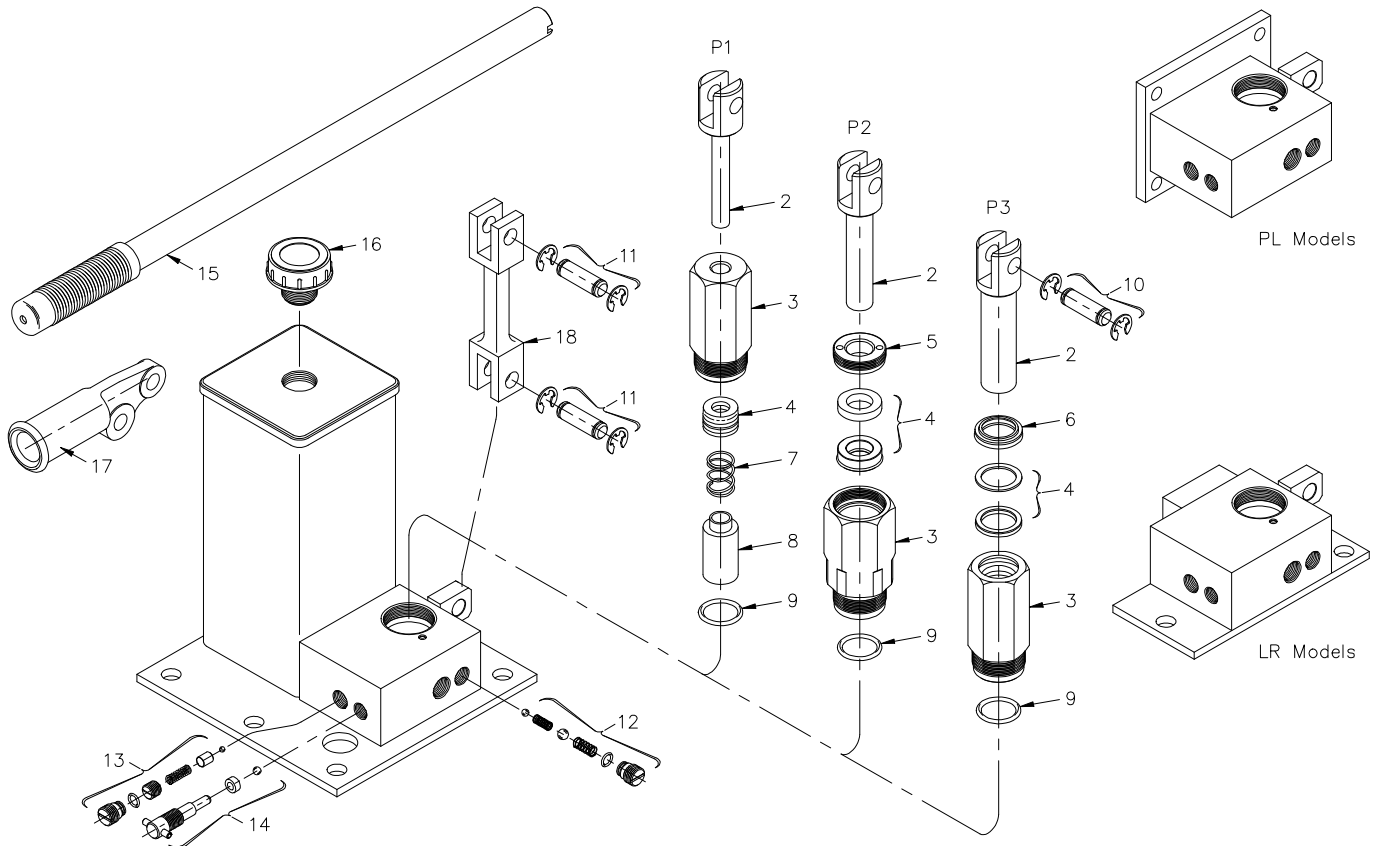


# P SERIES

## STAR Single Piston Screw Release Pumps

1/2" - 3/4" - 1" Diameters



These models can be:

- Hand operated
- With or without reservoir
- Base or flange mounted

Please give the following information when ordering parts:

- Part Number
- Part Name
- Model No. of Pump

1/2" Piston	3/4" Piston	1" Piston
MODELS: P1A P1A-LR P1A-PL	MODELS: P2A P2A-LR P2A-PL	MODELS: P3A P3A-LR P3A-PL

ITEM	PART NAME	PART NO.	PART NO.	PART NO.
	Repair Kit (Includes items marked *)	P1A-RK	P2A-RK	P3A-RK
2	Pump Piston	P1-7	P2-4	P3-2
3	Pump Barrel	P1-6	P2-2	P3-3
4	Pump Piston Packing	* P1-17	* P2-5RP	* P3-4RP
5	Pump Packing Nut	---	P2-3	---
6	Pump Piston Wiper	---	---	* P3-6
7	Pump Packing Spring	P1-18	---	---
8	Pump Piston Sleeve	P1-19	---	---
9	Pump Barrel Seal	* P1-20	* P1-20	* P1-20
10	Piston Pin (Includes Rings)	CP13-10RP	CP13-10RP	CP13-10RP
11	Link Pin (Includes Rings) (2 Required)	CP13-10RP	CP13-10RP	CP13-10RP
12	Pump Valve (Complete)	* P1-12RP	* P1-12RP	* P1-12RP
13	Overload Valve (Complete)	* CP13-13RP	* CP13-13RP	* P3-13RP
14	Release Valve (Complete)	* P1-3RP	* P1-3RP	* P1-3RP
15	Hand Pump Lever	P1-5	P1-5	P1-5
16	Breather / Filter	P1-16	P1-16	P1-16
17	Hand Pump Lever Socket	CP13-9	CP13-9	CP13-9
18	Pump Link	CP13-12	CP13-12	CP13-12