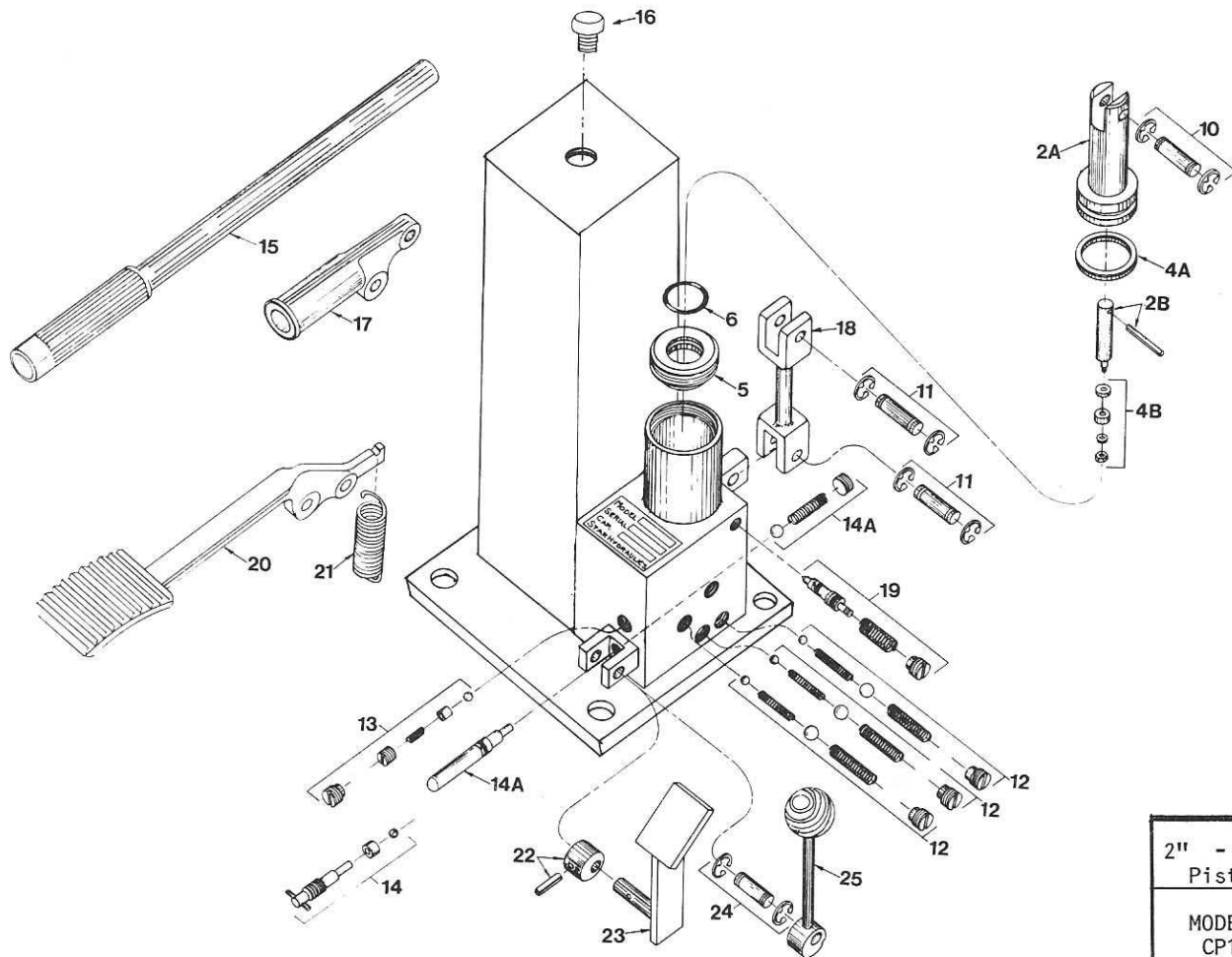


# CP SERIES

## STAR Hi-Lo Two Speed Pumps

1 1/4", 1/2" - 1 1/2", 1/2" - 1 1/2", 5/16" Diameters



### These models can be:

- hand or foot operated
- screw or cam released
- with reservoirs
- base mounted

Please give the following information when ordering parts:

- Part Number
- Part Name
- Model No. of Pump

2" - 1/2"  
Piston

MODELS:  
CP15  
CPS15  
FCP15

Item No.	Part Name	Part No.
	Repair Kit (incl parts with *)	CP15-RK
2A	Large Piston.....	CP15-2
2B	Small Piston (incl pin).....	CP13-4RP
4A	Large Piston Packing.....	* P6-4
4B	Small Piston Packing.....	* CP13-5RP
5	Pump Packing Nut.....	CP15-7
6	Pump Piston Wiper.....	* CP15-4
10	Piston Pin (incl. Rings).....	CP13-10RP
11	Link Pin (incl Rings).....	CP13-10RP
12	Pump Valve (Complete incl. 2).....	* CP13-19RP
13	Overload Valve (Complete).....	* CP13-13RP
14	Release Valve (Complete).....	P1-3RP
14A	Release Plunger (Complete).....	* CP13-17RP
14B	Release Valve (Complete).....	* PAC-18RP
15	Lever Handle.....	CP13-23
16	Breather Screw.....	P1-16
17	Pump Socket.....	CP13-9
18	Pump Link.....	CP13-12
19	Relief Valve (Complete).....	* CP13-25RP
20	Foot Lever.....	FCP12-9
21	Foot Lever Return Spring.....	FCP13-23
22	Release Lever Cam & Pin.....	FCP13-13RP
23	Foot Release Lever.....	FCP13-14
24	Release Lever Pin (incl Rings).....	CP13-10RP
25	Cam Release Lever.....	CP13-14
	Inserting Tool.....	* CP13-44