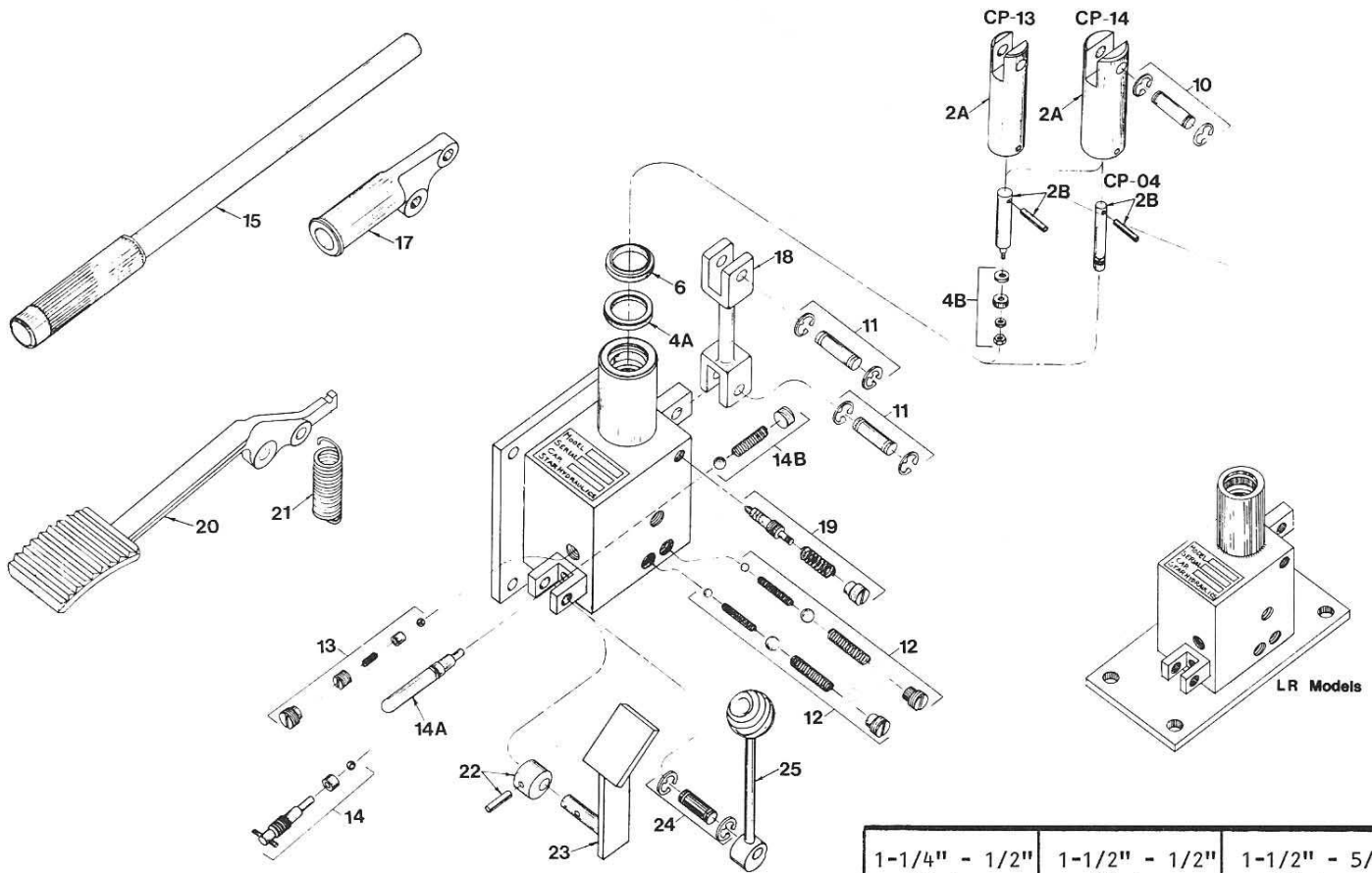


CP SERIES

STAR Hi-Lo Two Speed Pumps

2", 1/2" Diameters



These models can be:

- hand or foot operated
- screw or cam released
- without reservoirs
- base or flange mounted

Please give the following information when ordering parts:

- Part Number
- Part Name
- Model No. of Pump

Item No.	Part Name	1-1/4" - 1/2" Piston	1-1/2" - 1/2" Piston	1-1/2" - 5/16" Piston
		Part No.	Part No.	Part No.
	Repair Kit (incl parts with *)	CP13-RK	CP14-RK	CP04-RK
2A	Large Piston.....	P4-2	P5-2	P5-2
2B	Small Piston (incl pin).....	CP13-4RP	CP13-4RP	* CP04-4RP
4A	Large Piston Packing.....	* P4-4	* P5-4	* P5-4
4B	Small Piston Packing.....	* CP13-5RP	* CP13-5RP	++
6	Pump Piston Wiper.....	* P4-6	* P5-6	* P5-6
10	Piston Pin (incl. Rings).....	CP13-10RP	CP14-10RP	CP14-10RP
11	Link Pin (incl Rings).....	CP13-10RP	CP13-10RP	CP13-10RP
12	Pump Valve (Complete-incl. 2).	* CP13-19RP	* CP13-19RP	* CP13-19RP
13	Overload Valve (Complete).....	* CP13-13RP	* CP13-13RP	* CP13-13RP
14	Release Valve (Complete).....	P1-3RP	P1-3RP	P1-3RP
14A	Release Plunger (Complete)....	* CP13-17RP	* CP13-17RP	* CP13-17RP
14B	Release Valve (Complete).....	* PAC-18RP	* PAC-18RP	* PAC-18RP
15	Lever Handle.....	CP13-23	CP13-23	CP13-23
17	Pump Socket.....	CP13-9	CP13-9	CP13-9
18	Pump Link.....	CP13-12	CP13-12	CP13-12
19	Relief Valve (Complete).....	* CP13-25RP	* CP13-25RP	* CP13-25RP
20	Foot Lever.....	FCP12-9	FCP12-9	FCP12-9
21	Foot Lever Return Spring.....	FCP13-23	FCP13-23	FCP13-23
22	Release Lever Cam & Pin.....	FCP13-13RP	FCP13-13RP	FCP13-13RP
23	Foot Release Lever.....	FCP13-14	FCP13-14	FCP13-14
24	Release Lever Pin (incl Rings)	CP13-10RP	CP13-10RP	CP13-10RP
25	Cam Release Lever.....	CP13-14	CP13-14	CP13-14
	Inserting Tool.....	* CP13-44	* CP13-44	* CP13-44

++ Included in Item 2B (Part #CP04-4RP)