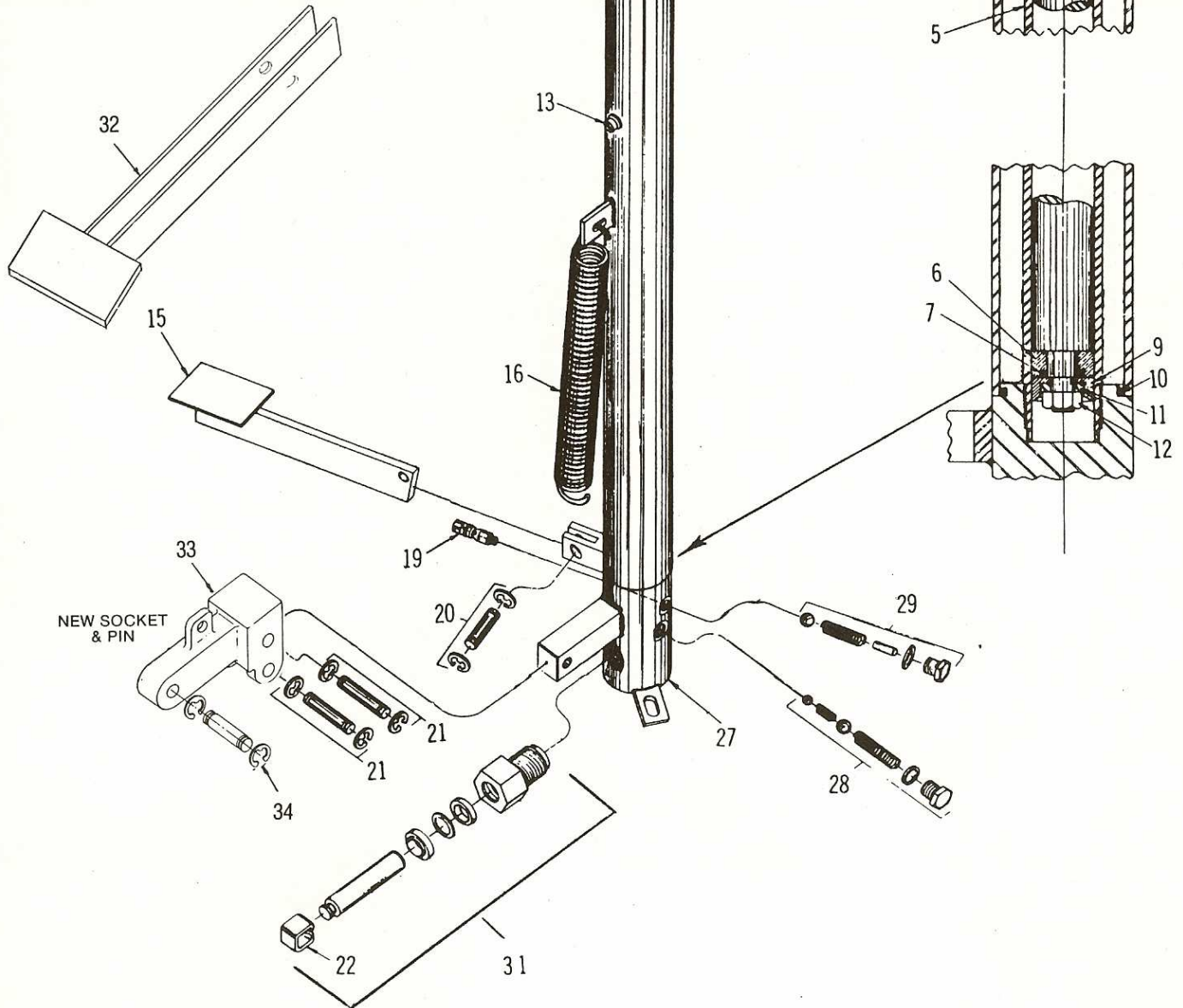
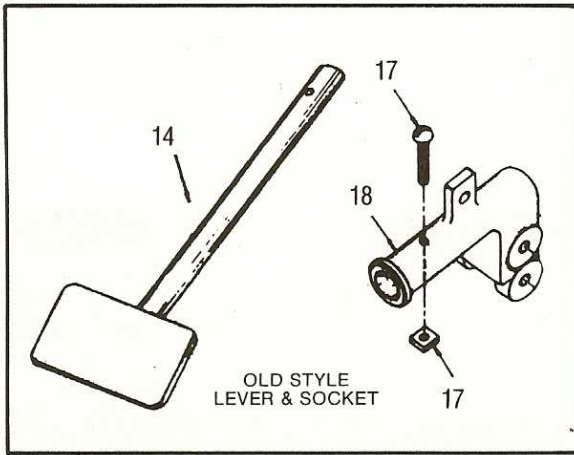


STAR HYDRAULIC FOOT OPERATED LIFT MODEL — HF500



STAR HYDRAULICS FOOT OPERATED LIFT MODEL HF500

PARTS PRICE LIST

Item No.	Part No.	Part Name
1	HF500-6	Ram (Hard Chrome Plate) Specify Travel
2 (K)	HF500-4	Top Nut "O" Ring
3	HF500-3	Top Nut
4	HF500-2	Reservoir Tube... Specify Travel
5	HF500-5	Inside Cylinder Tube... Specify Travel
6	HF500-8	Ram Cup Support Washer
7	HF500-8A	Ram Cup O-Ring (Obsolete) Turn piston over
9 (K)	HF500-7	Ram Cup
10 (K)	HF500-32	Body "O" Ring (order 2)
11	HF500-9	Ram Cup Washer
12	QH525-13	Ram Cup Nut
13	HF500-30	Filler Screw & Washer (order 2)
15	HF500-23RP	Foot Release Lever Assy.
16	HF500-22	Piston Lever Return Spring
* 19 (K)	HF500-15RP	Release Plunger (Incl. Rings)
20 (K)	HF500-24RP	Release Lever Pin (Incl. Rings)
21 (K)	HF500-25RP	(2) Lever Socket Pin (Incl. Rings)
* 22 (K)	HF500-29	Pump Piston Clip
* 27	HF500-1RP	Body Assy. (Incl. all parts with *)
* 28 (K)	HF500-51RP	Pump Valve (Complete)
* 29 (K)	HF500-50RP	Release Valve (Complete)
30	HF500-53RP	Hydraulic Repair Kit (Items with K)
* 31 (K)	HF500-54RP	Pump Piston Assy. (Ready to install) incl. item #22
32	HF500-44	Lever Arm (New Style)
33	HF500-43	Socket (New Style)
34	HF500-42RP	Lever Arm Pin Incl. Rings (new Style)

IMPORTANT - Please give following information when ordering parts

a) Part Number b) Part Name

NOTE: RV Model Overload Assembly parts not available.
Send to factory for Overload repair.