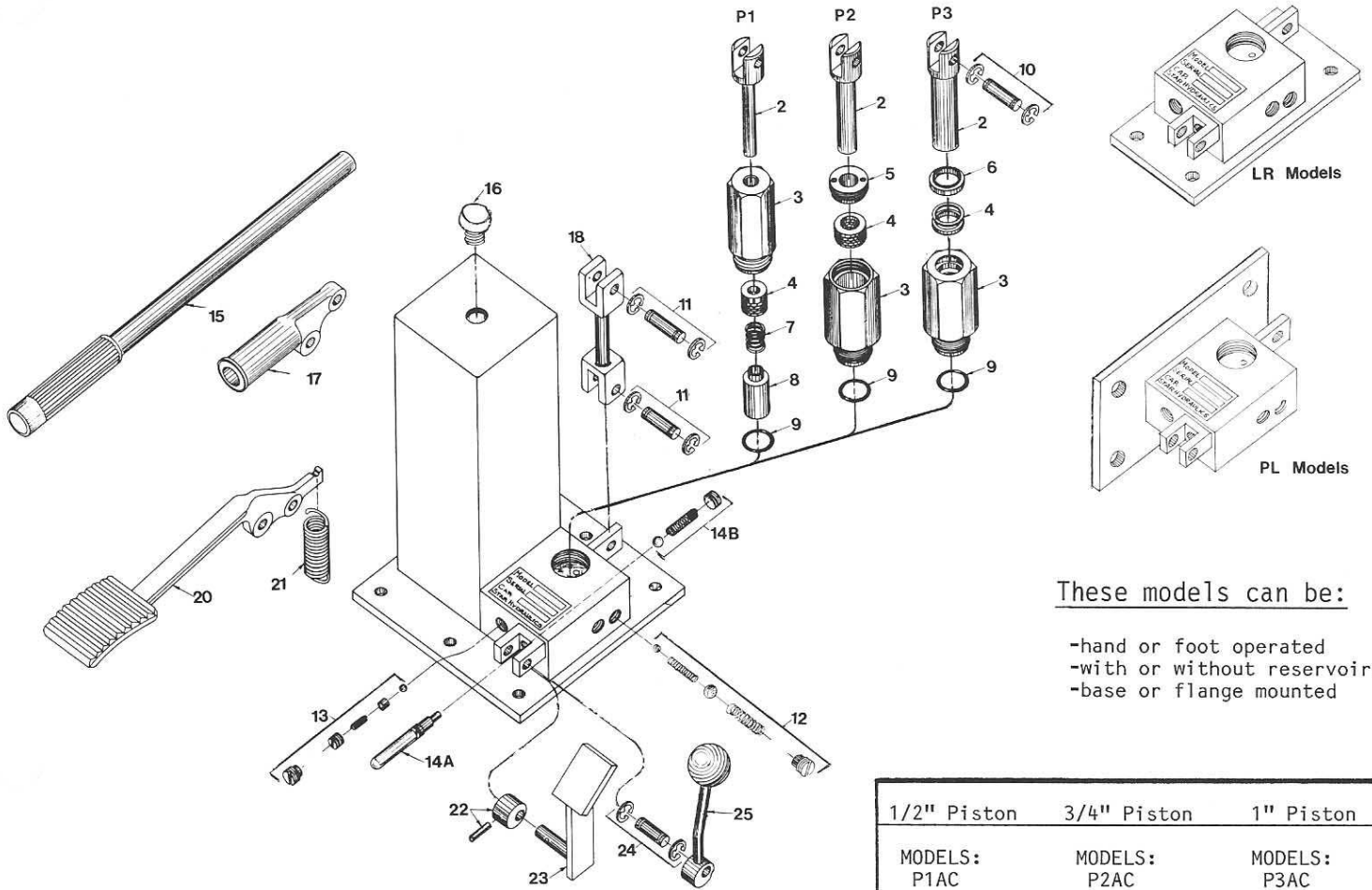


P SERIES

STAR Single Piston Cam Release Pumps

1/2" - 3/4" - 1" Diameters



These models can be:

- hand or foot operated
- with or without reservoirs
- base or flange mounted

	1/2" Piston	3/4" Piston	1" Piston
MODELS:	MODELS:	MODELS:	
P1AC	P2AC	P3AC	
P1AC-LR	P2AC-LR	P3AC-LR	
P1AC-PL	P2AC-PL	P3AC-PL	
FP1AC	FP2AC	FP3AC	
FP1AC-LR	FP2AC-LR	FP3AC-LR	
FP1AC-PL	FP2AC-PL	FP3AC-PL	
Part No.	Part No.	Part No.	Part No.
Repair Kit (incl parts with *)	P1AC-RK	P2AC-RK	P3AC-RK
Pump Piston.....	P1-7	P2-4	P3-2
Pump Barrel.....	P1-6	P2-2	P3-3
Pump Piston Packing.....	* P1-17	* P2-5	* P3-4
Pump Packing Nut.....	---	P2-3	---
Pump Piston Wiper.....	---	---	* P3-6
Pump Packing Spring.....	P1-18	---	---
Pump Piston Sleeve.....	P1-19	---	---
Pump Barrel O-Ring.....	* P1-20	* P1-20	* P1-20
Piston Pin (incl Rings).....	CP13-10RP	CP13-10RP	CP13-10RP
Link Pin (incl Rings).....	CP13-10RP	CP13-10RP	CP13-10RP
Pump Valve (Complete).....	* P1-12RP	* P1-12RP	* P1-12RP
Overload Valve (Complete).....	* CP13-13RP	* P3-13RP	* P3-13RP
Release Plunger (Complete).....	* CP13-17RP	* CP13-17RP	* CP13-17RP
Release Valve (Complete).....	* PAC-18RP	* PAC-18RP	* PAC-18RP
Lever Handle.....	CP13-23	CP13-23	CP13-23
Breather Screw.....	P1-16	P1-16	P1-16
Pump Socket.....	CP13-9	CP13-9	CP13-9
Pump Link.....	CP13-12	CP13-12	CP13-12
Foot Lever.....	FCP12-9	FCP12-9	FCP12-9
Foot Lever Return Spring.....	FCP13-23	FCP13-23	FCP13-23
Release Lever Cam & Pin.....	FCP13-13RP	FCP13-13RP	FCP13-13RP
Foot Release Lever.....	FCP13-14	FCP13-14	FCP13-14
Release Lever Pin (incl Rings).....	CP13-10RP	CP13-10RP	CP13-10RP
Cam Release Lever.....	P1AC-14	P1AC-14	P1AC-14
Inserting Tool.....	* CP13-44	* CP13-44	* CP13-44

Please give the following information when ordering parts:

- Part Number
- Part Name
- Model No. of Pump