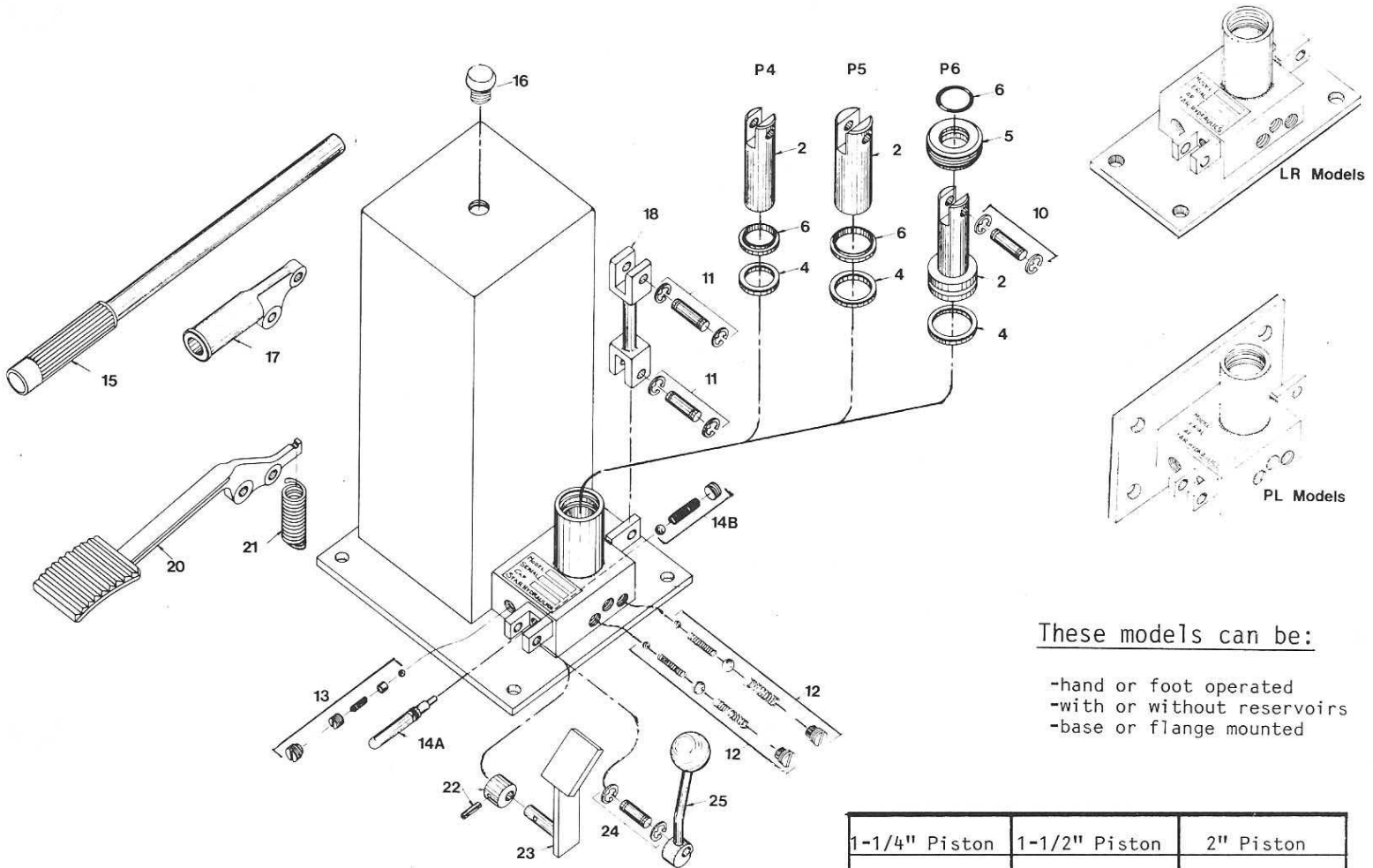


# P SERIES

## STAR Single Piston Cam Release Pumps

1 1/4" - 1 1/2" - 2" Diameters



These models can be:

- hand or foot operated
- with or without reservoirs
- base or flange mounted

Please give the following information when ordering parts:

- Part Number
- Part Name
- Model No. of Pump

Item No.	Part Name	1-1/4" Piston	1-1/2" Piston	2" Piston
	MODELS:	P4AC P4AC-LR P4AC-PL FP4AC FP4AC-LR FP4AC-PL	P5AC P5AC-LR P5AC-PL FP5AC FP5AC-LR FP5AC-PL	P6AC P6AC-LR P6AC-PL FP6AC FP6AC-LR FP6AC-PL
	Part No.	Part No.	Part No.	Part No.
2	Repair Kit (incl parts with *)	P4AC-RK	P5AC-RK	P6AC-RK
2	Pump Piston.....	P4-2	P5-2	CP15-2
4	Pump Piston Packing.....	* P4-4	* P5-4	* P6-4
5	Pump Packing Nut.....	---	---	CP15-7
6	Pump Piston Wiper.....	* P4-6	* P5-6	* CP15-4
10	Piston Pin (incl Rings).....	CP13-10RP	CP13-10RP	CP13-10RP
11	Link Pin (incl Rings).....	CP13-10RP	CP13-10RP	CP13-10RP
12	Pump Valve (Complete-incl 2)..	* P1-12RP	* P1-12RP	* P1-12RP
13	Overload Valve (Complete)....	* P4-13RP	* P5-13RP	* P6-13RP
14A	Release Plunger (Complete)....	* CP13-17RP	* CP13-17RP	* CP13-17RP
14B	Release Valve (Complete).....	* PAC-18RP	* PAC-18RP	* PAC-18RP
15	Lever Handle.....	CP13-23	CP13-23	CP13-23
16	Breather Screw.....	P1-16	P1-16	P1-16
17	Pump Socket.....	CP13-9	CP13-9	CP13-9
18	Pump Link.....	CP13-12	CP13-12	CP13-12
20	Foot Lever.....	FCP12-9	FCP12-9	FCP12-9
21	Foot Lever Return Spring.....	FCP13-23	FCP13-23	FCP13-23
22	Release Lever Cam & Pin.....	FCP13-13RP	FCP13-13RP	FCP13-13RP
23	Foot Release Lever.....	FCP13-14	FCP13-14	FCP13-14
24	Release Lever Pin (incl Rings)	CP13-10RP	CP13-10RP	CP13-10RP
25	Cam Release Lever.....	P1AC-14	P1AC-14	P1AC-14
	Inserting Tool.....	* CP13-44	* CP13-44	* CP13-44