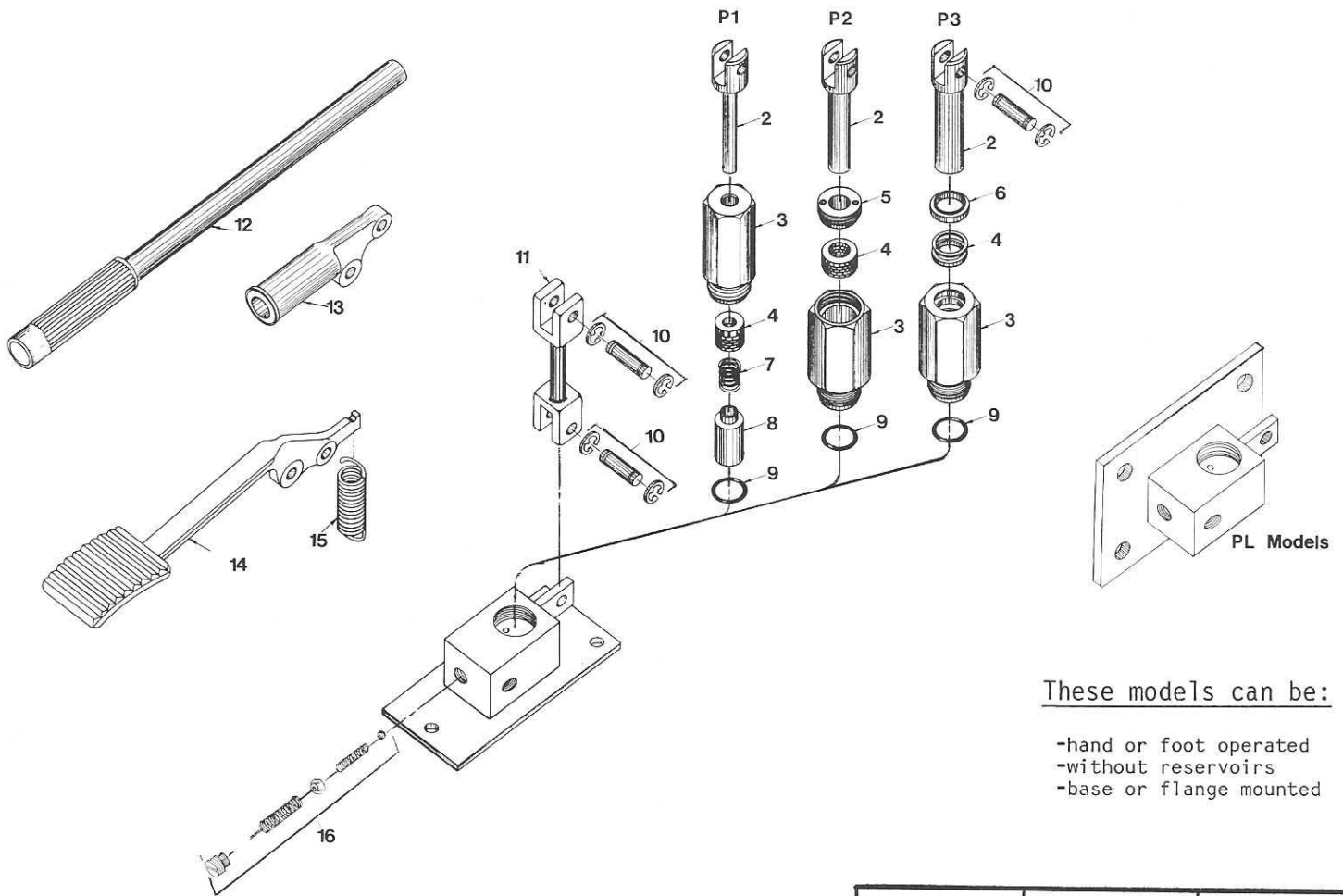


SP SERIES

STAR Single Piston Pumps

1/2" — 3/4" — 1" Diameters



These models can be:

- hand or foot operated
- without reservoirs
- base or flange mounted

Please give the following information when ordering parts:

- Part Number
- Part Name
- Model No. of Pump

Item No.	Part Name	1/2" Piston	3/4" Piston	1" Piston
		MODELS: SP1A SP1A-PL FSP1A FSP1A-PL SP1A-SS ++	MODELS: SP2A SP2A-PL FSP2A FSP2A-PL	MODELS: SP3A SP3A-PL FSP3A FSP3A-PL
		Part No.	Part No.	Part No.
	Repair Kit (incl parts with *)	SP1A-RK	SP2A-RK	SP3A-RK
2	Piston.....	P1-7	P2-4	P3-2
3	Pump Barrel.....	P1-6	P2-2	P3-3
4	Pump Piston Packing.....	* P1-17	* P2-5	* P3-4
5	Pump Packing Nut.....	---	P2-3	---
6	Pump Piston Wiper.....	---	---	* P3-6
7	Pump Packing Spring.....	P1-18	---	---
8	Pump Piston Sleeve.....	P1-19	---	---
9	Pump Barrel O-Ring.....	* P1-20	* P1-20	* P1-20
10	Pin (incl Rings).....	CP13-10RP	CP13-10RP	CP13-10RP
11	Pump Link.....	CP13-12	CP13-12	CP13-12
12	Lever Handle.....	CP13-23	CP13-23	CP13-23
13	Pump Socket.....	CP13-9	CP13-9	CP13-9
14	Foot Lever.....	FCP12-9	FCP12-9	FCP12-9
15	Foot Lever Return Spring.....	FCP13-23	FCP13-23	FCP13-23
16	Pump Valve (Complete).....	* P1-12RP	* P1-12RP	* P1-12RP
	Inserting Tool.....	* CP13-44	* CP13-44	* CP13-44

++ add "-SS" to Part No.