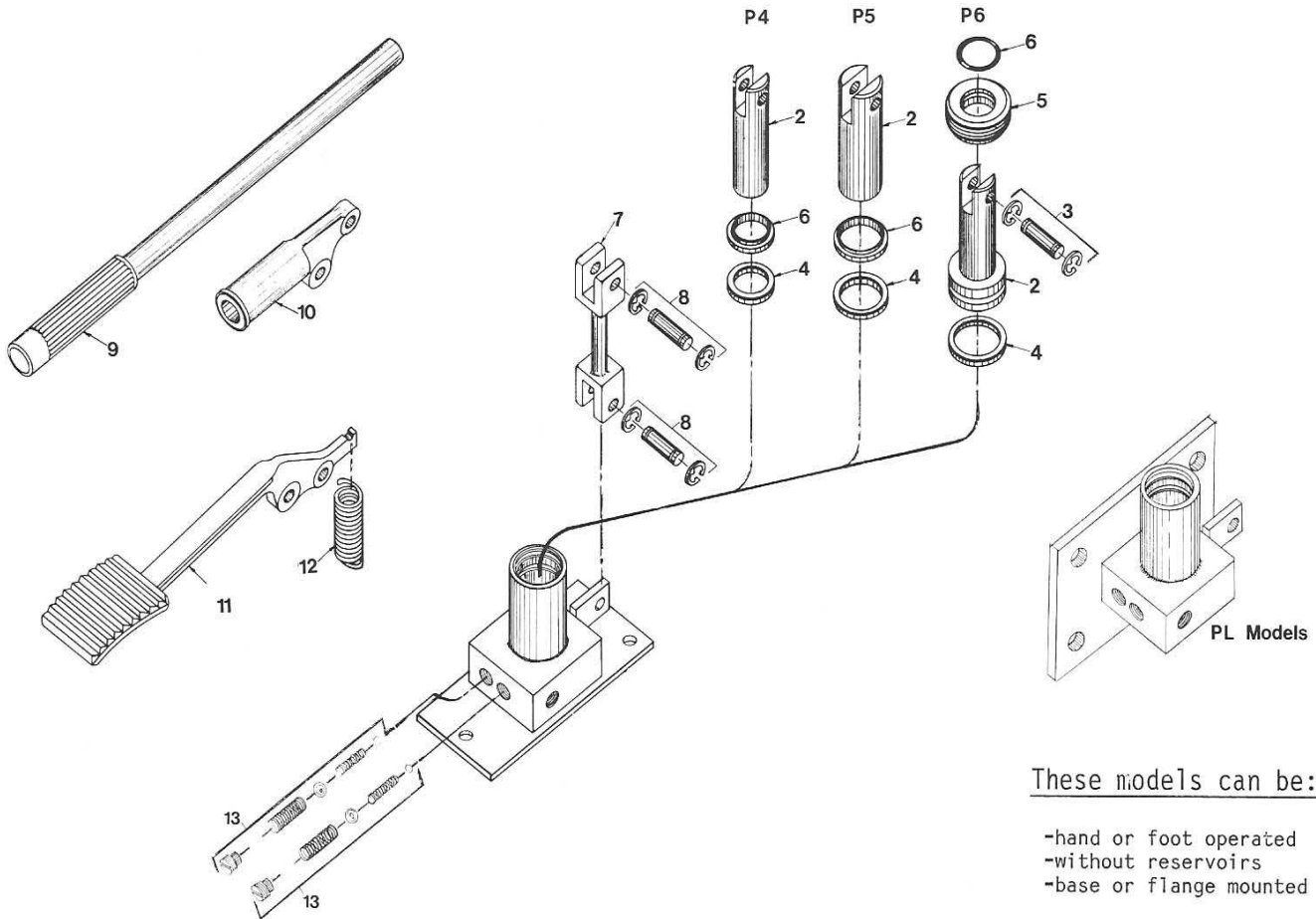


SP SERIES

STAR Single Piston Pumps

1 1/4" - 1 1/2" - 2" Diameters



These models can be:

- hand or foot operated
- without reservoirs
- base or flange mounted

Please give the following information when ordering parts:

- Part Number
- Part Name
- Model No. of Pump

Item No.	Part Name	1-1/4" Piston	1-1/2" Piston	2" Piston
		Part No.	Part No.	Part No.
	Repair Kit (incl parts with *)	SP4A-RK	SP5A-RK	SP6A-RK
2	Piston.....	P4-2	P5-2	CP15-2
3	Piston Pin (incl Rings).....	CP13-10RP	CP13-10RP	CP13-10RP
4	Pump Piston Packing.....	* P4-4	* P5-4	* P6-4
5	Pump Packing Nut.....	---	---	CP15-7
6	Pump Piston Wiper.....	* P4-6	* P5-6	* CP15-4
7	Pump Link.....	CP13-12	CP13-12	CP13-12
8	Link Pin (incl Ring).....	CP13-10RP	CP13-10RP	CP13-10RP
9	Lever Handle.....	CP13-23	CP13-23	CP13-23
10	Pump Socket.....	CP13-9	CP13-9	CP13-9
11	Foot Lever.....	FCP12-9	FCP12-9	FCP12-9
12	Foot Lever Return Spring.....	FCP13-23	FCP13-23	FCP13-23
13	Pump Valve (Complete- incl 2)..	* P1-12RP	* P1-12RP	* P1-12RP
	Inserting Tool.....	* CP13-44	* CP13-44	* CP13-44

++ add "-SS" to Part No.

STAR HYDRAULICS, INC.

2727 CLINTON STREET, RIVER GROVE, ILLINOIS 60171-1598 • PHONE 708/453-3238 • FAX 708/453-0297