

SINGLE PISTON HYDRAULIC PUMPS

SERVICE MANUAL
(Hand or Foot Operated)

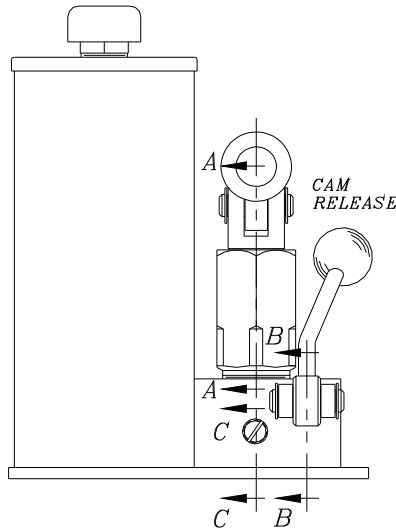


STAR HYDRAULICS, INC.
2727 CLINTON STREET
RIVER GROVE, ILLINOIS 60171
708/453/3238
www.starhyd@starhyd.com

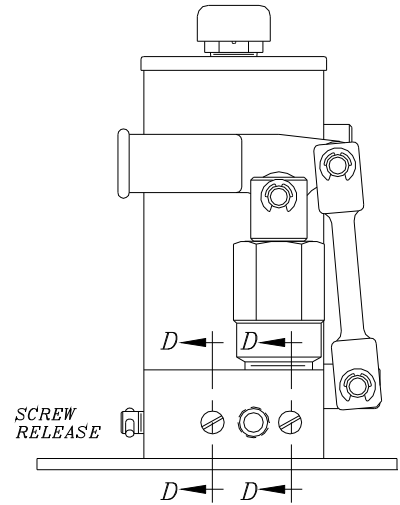
MAINTENANCE

In servicing hydraulic units, cleanliness is of the utmost importance. A clean work place and proper tools are necessary to insure efficient and effective repair. Special tools can be furnished on request.

NOTE: Please specify pump model number when ordering parts. If you are not sure of your pump model number call the factory and request a pump model identification sheet be faxed or e-mailed to you. Pump parts lists are also available for your model.



Typical assembly drawing of "P" series pump showing sectional view location.



Left section D-D only on P4, P5 & P6 pumps

TROUBLE	POSSIBLE CAUSE	CORRECTIVE REPAIR INSTRUCTIONS
Pump will not hold pressure	<ol style="list-style-type: none"> 1. Release valve ball not seating properly 2. Ball valves not seating properly 3. Overload valve ball not seating properly 	Refer to "Release Valve" notes Refer to "Pump Valve" notes Refer to "Overload Valve" notes
Pump fails to supply pressure	<ol style="list-style-type: none"> 1. Lack of oil 2. Air bound pump 3. Release valve ball not seating properly 4. Small ball in valve circuit not seating properly 5. Overload valve ball not seating properly 	Refer to "Oil" notes Refer to "Air Bleeding" notes Refer to "Release Valve" notes Refer to "Pump Valve" notes Refer to "Overload Valve" notes
Pump piston does not draw a full charge. (This is evident by a cushion effect at the top of the pump stroke)	<ol style="list-style-type: none"> 1. Air bound system 2. Lack of oil 	Refer to "Air Bleeding" notes Refer to "Oil" notes
Pump piston raises by itself under pressure	Large ball in ball valve circuit not seating properly	Refer to "Pump Valve" notes
Pump functions properly but will generate only a given pressure below its normal pressure maximum	Overload valve not properly set	Refer to "Overload Valve" notes

Air Bleeding

Air accumulation in a hydraulic system will cause erratic action. This may appear as pump failure to the inexperienced user. For this reason, it is advisable to bleed the air from each pump before attempting to operate. To remove air from the pump, open the release valve with the pump in an upright position. Operate the pump slowly through the full piston stroke about a dozen times. Close the release valve. The pump should be ready for use.

Oil

If the pump fails to operate, check the oil level before attempting any repairs. The maximum fill level is 1 ½" below the inside of the reservoir cover.

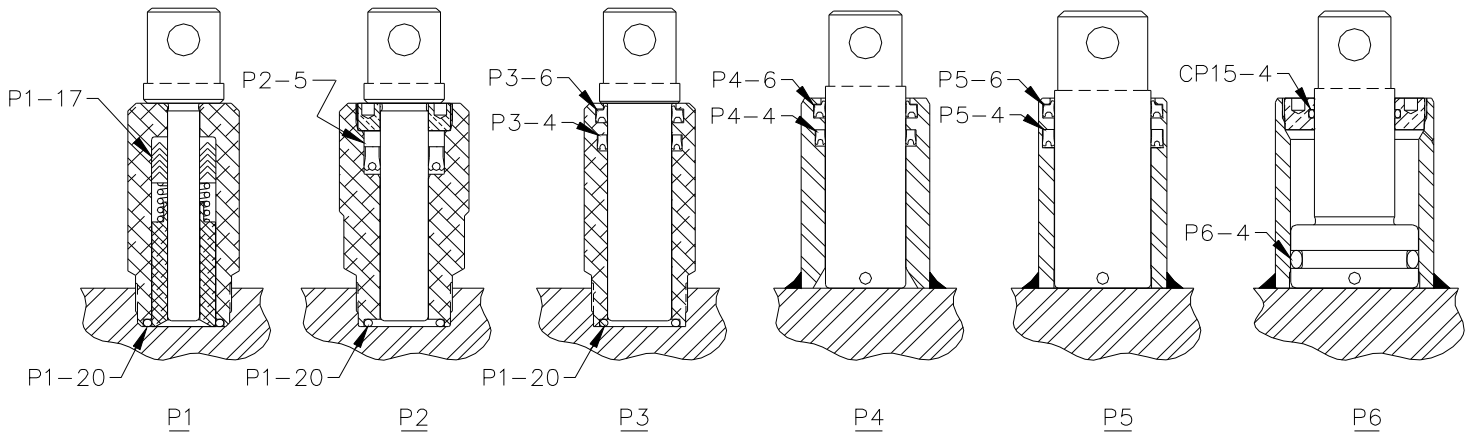
CAUTION: Use only hydraulic oil when refilling. **NEVER USE BRAKE FLUID.**

Pump Piston

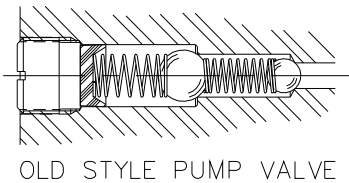
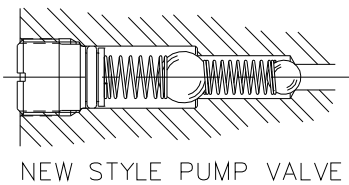
Leakage of oil around the pump piston may indicate worn or damaged piston packings.

To replace packings:

- a) Remove the piston actuating linkage.
- b) Remove the piston. (See pump piston section drawing A-A)
- c) Remove all packings. (See pump piston section drawing A-A)
- d) Clean all parts and dry with compressed air.
- e) Install new packings, wipers, and static seals making sure that the packing seal lips face down toward the pressure. (Lubricate each part with clean hydraulic oil before assembly)
- f) Open the release valve (to allow air to bleed from the piston barrel back to the reservoir) and insert the piston.
- g) Replace the piston linkage.
- h) NOTE: With the release valve open, stroke the pump about a dozen times to bleed air completely from the pump.



PUMP PISTON SECTION A-A



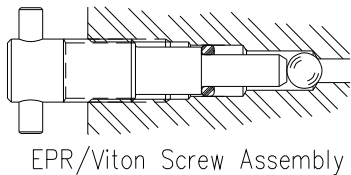
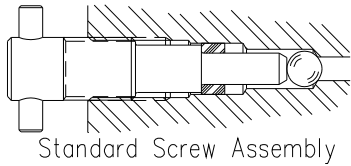
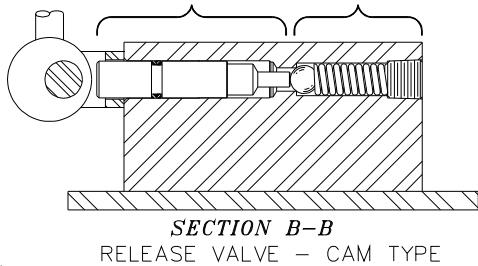
SECTION D-D

Pump Valves

If the pump fails to supply pressure or if the pump piston is under pressure at all times, the pump valves may need cleaning. Stand the pump in an upright position. Remove the valve plug and seal. Tilt the pump to remove the valve springs and balls. Allow oil to drain from the reservoir through these valve holes to wash foreign matter from the valve cavity. Lay the pump on its side to clean and inspect the valve chamber. Be careful not to mar or nick the ball valve seats. Clean the valve balls and springs in solvent. Replace rusted or corroded balls. Do not stretch the ball springs. To reassemble, insert in sequence, the small ball, small spring, large ball, and large spring into the cleaned chamber. Finally, screw in the valve seal plug. Note that the seal kit contains the new style valve plug and seal.

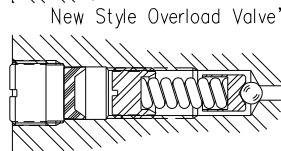
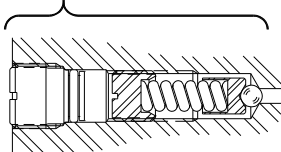
This procedure should be carried out in all ball valve circuits. If the valves fail to operate properly after they have been cleaned, it may be necessary to re-seat the valve balls. Remove the springs and tap each ball lightly in its respective seat using the ¼" ball seating tool (CP13-42) for the small ball and the 3/8" ball seating tool (CP13-43) for the large ball. Remove the balls to make sure they are not stuck to the seats. Reassemble the pump valves as before. See "Air Bleeding" instructions before attempting to operate the pump.

REPAIR PARTS KIT No. CP13-17RP REPAIR PARTS KIT No. PAC-18RP



SECTION B-B
SCREW RELEASE VALVE
KIT No. P1-3 RP

CP13-13RP FOR P1, P2 & FP1
P3-13RP FOR P3, FP2 & FP3
P4-13RP FOR P4
P5-13RP FOR P5, P6, FP4 & FP5
P6-13RP FOR FP6



SECTION C-C
OVERLOAD VALVE

Release Valve - Cam Type

If the pump fails to lift or hold a load, the release valve may be dirty. From the back of the pump remove the release valve plug, release valve spring and 3/8" release ball. From the front, remove the release lever pin, release lever and release plunger and seal. Clean the release valve chamber and inspect the ball seat. If necessary, re-seat the release ball by tapping it lightly on the ball seat using the 3/8" ball seating tool (CP13-43). Clean the plunger and inspect the plunger packing and replace if necessary. To reassemble, insert the ball, ball spring, and release valve plug. Lubricate the release plunger packing with hydraulic oil and carefully insert into the plunger chamber. Re-install the release lever and lever pin. See "Air Bleeding" instructions before attempting to operate the pump.

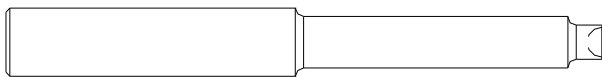
Release Valve - Screw Type

If the pump fails to lift or hold a load, the release valve may be dirty. Remove the release screw, release valve seal and the 9/32" release ball. Clean and inspect the valve seat and screw. A slight depression in the end of the screw is not harmful. Screws with excessive deformation should be replaced. Re-seat the release ball using the 1/4" ball seating tool (CP13-42). To reassemble, insert the release valve packing using inserting tool P1A-40. Reinstall the release screw. See "Air Bleeding" instructions before attempting to operate the pump.

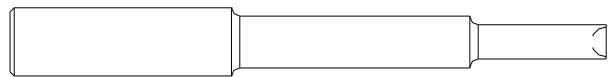
Overload Valve

If the pump fails to lift or hold a load after the release valve and pump valves have been checked, the overload valve may be dirty. To clean the valve, remove the valve plug and the plug seal. Using a screwdriver, remove the overload valve screw, valve spring, plunger, and steel ball. Clean and inspect the valve cavity. If the ball seat is marred, re-seat the overload ball by lightly tapping the ball on seat using tool (CP13-45). Remove the ball to prevent sticking. Reassemble the ball, plunger, spring and valve screw. Connect a pressure gage to the pressure outlet. Stroke the pump to obtain maximum desired pressure. Turn the valve screw clockwise to increase the pressure reading and counter-clockwise to reduce the maximum reading. After the valve is set properly, replace the valve seal and valve plug. Note that the seal kit contains the new style plug and seal. See "Air Bleeding" instructions before attempting to operate the pump.

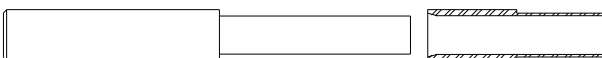
SPECIAL TOOLS AVAILABLE FOR REPAIRING STAR PUMPS ARE SHOWN BELOW



OVERLOAD VALVE BALL SEATING
TOOL (PART No. CP13-45)



1/4" BALL SEATING TOOL
(PART No. CP13-42)



INSERTING TOOL FOR P1A-4 RELEASE
VALVE SEAL (PART No. P1A-40)



3/8" BALL SEATING TOOL
(PART No. CP13-43)