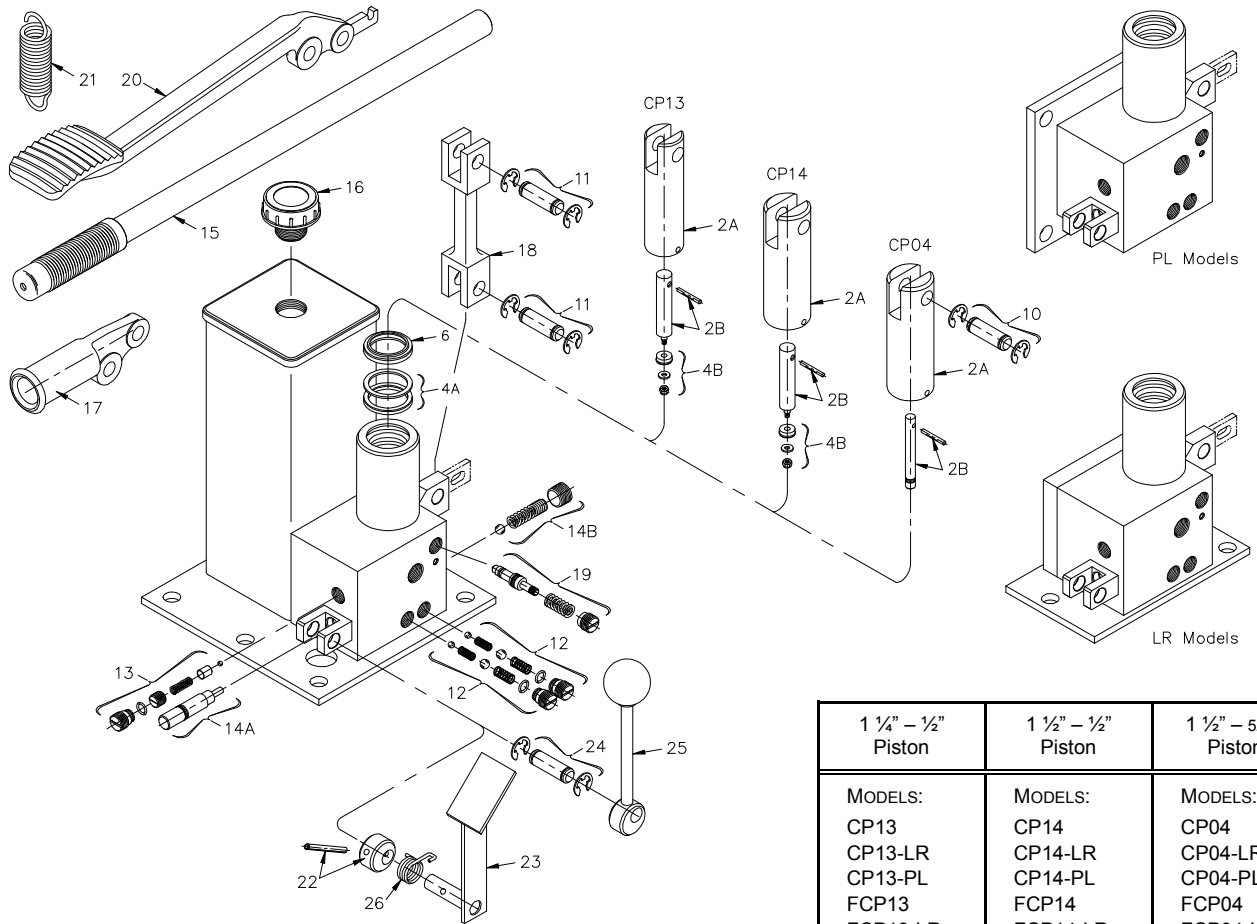


CP SERIES

STAR Hi-Lo Two Speed Cam Release Pumps

1 1/4", 1/2" - 1 1/2", 1/2" - 1 1/2", 5/16" Diameters



1 1/4" - 1/2" Piston	1 1/2" - 1/2" Piston	1 1/2" - 5/16" Piston
MODELS: CP13 CP13-LR CP13-PL FCP13 FCP13-LR FCP13-PL	MODELS: CP14 CP14-LR CP14-PL FCP14 FCP14-LR FCP14-PL	MODELS: CP04 CP04-LR CP04-PL FCP04 FCP04-LR FCP04-PL

These models can be:

- Hand or foot operated
- With or without reservoir
- Base or flange mounted

Please give the following information when ordering parts:

- Part Number
- Part Name
- Model No. of Pump

ITEM	PART NAME	PART NO.	PART NO.	PART NO.
	Repair Kit (Includes items marked *)	CP13-RK	CP14-RK	CP04-RK
2A	Large Pump Piston	CP13-2	CP14-2	CP14-2
2B	Small Pump Piston (Includes Pin)	CP13-4RP	CP13-4RP	* CP04-4RP
4A	Large Pump Piston Packing	* P4-4RP	* P5-4RP	* P5-4RP
4B	Small Pump Piston Packing	* CP13-5RP	* CP13-5RP	++
6	Pump Piston Wiper	* P4-6	* P5-6	* P5-6
10	Piston Pin (Includes Rings)	CP13-10RP	CP14-10RP	CP14-10RP
11	Link Pin (Includes Rings) (2 Required)	CP13-10RP	CP13-10RP	CP13-10RP
12	Pump Valve (Complete) (2 Required)	* P1-12RP	* P1-12RP	* P1-12RP
13	Overload Valve (Complete)	* CP13-13RP	* CP13-13RP	* CP13-13RP
14A	Release Plunger (Complete)	* CP13-17RP	* CP13-17RP	* CP13-17RP
14B	Release Valve (Complete)	* PAC-18RP	* PAC-18RP	* PAC-18RP
15	Hand Pump Lever	CP13-23	CP13-23	CP13-23
16	Breather / Filter	P1-16	P1-16	P1-16
17	Hand Pump Lever Socket	CP13-9	CP13-9	CP13-9
18	Pump Link	CP13-12	CP13-12	CP13-12
19	Relief Valve (Complete)	* CP13-25RP	* CP13-25RP	* CP13-25RP
20	Foot Pump Lever	FCP12-9	FCP12-9	FCP12-9
21	Foot Pump Lever Return Spring	FCP13-23	FCP13-23	FCP13-23
22	Foot Release Lever Cam & Pin	FCP13-13RP	CP13-13RP	FCP13-13RP
23	Foot Release Lever	FCP13-14	FCP13-14	FCP13-14
24	Hand Release Lever Pin (Includes Rings)	CP13-10RP	CP13-10RP	CP13-10RP
25	Hand Release Lever	CP13-14	CP13-14	CP13-14
26	Foot Release Lever Return Spring	FP1AC-95	FP1AC-95	FP1AC-95

++ Included in Item 2B (Part No. CP04-4RP)