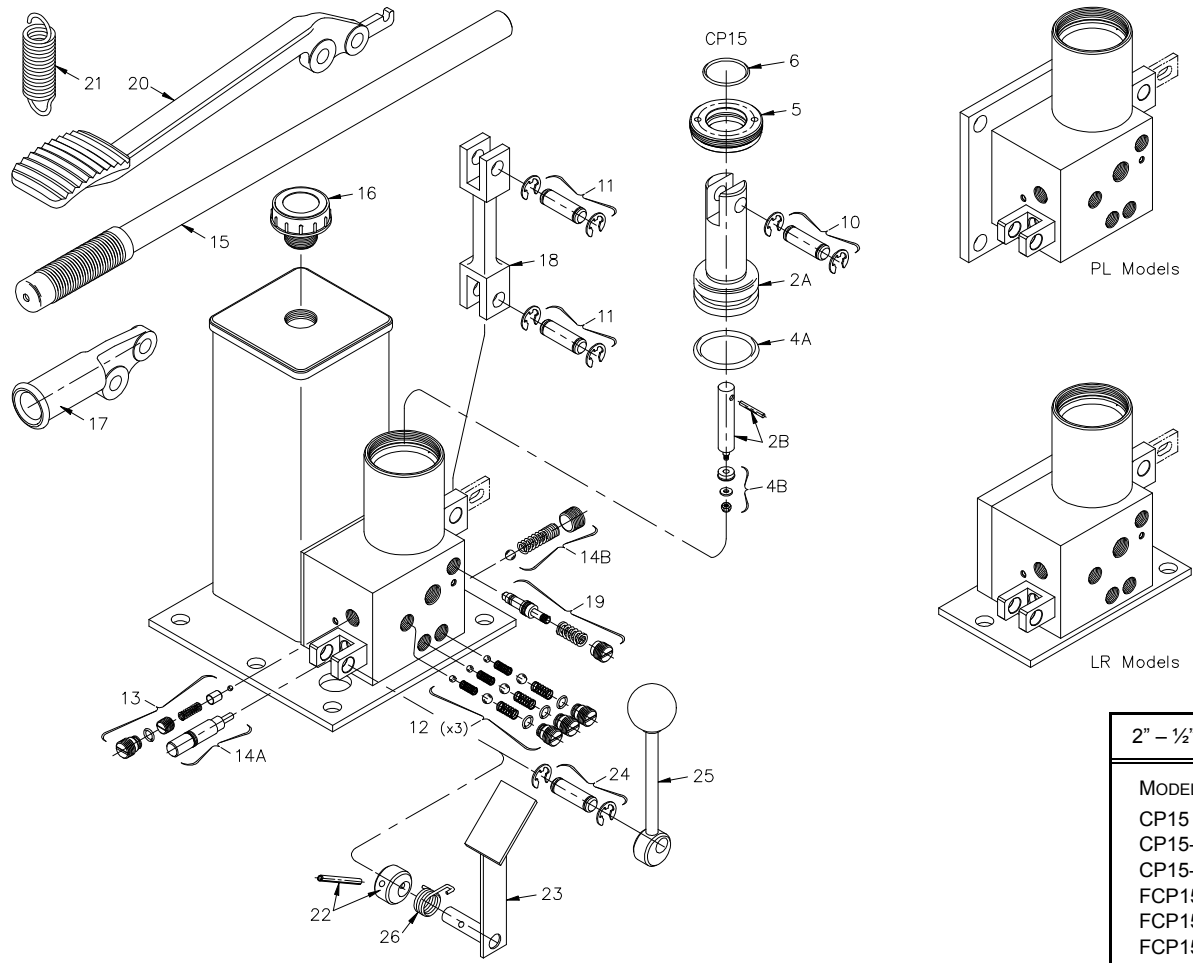


CP SERIES

STAR Hi-Lo Two Speed Cam Release Pumps 2", 1/2" Diameters



2" – 1/2" Piston

MODELS:
 CP15
 CP15-LR
 CP15-PL
 FCP15
 FCP15-LR
 FCP15-PL

These models can be:

- Hand or foot operated
- With or without reservoir
- Base or flange mounted

Please give the following information when ordering parts:

- Part Number
- Part Name
- Model No. of Pump

ITEM	PART NAME	PART NO.
	Repair Kit (Includes items marked *)	CP15-RK
2A	Large Pump Piston	CP15-2
2B	Small Pump Piston (Includes Pin)	CP13-4RP
4A	Large Pump Piston Packing	* P6-4
4B	Small Pump Piston Packing	* CP13-5RP
5	Pump Packing Nut	CP15-7
6	Pump Piston Wiper	* CP15-4
10	Piston Pin (Includes Rings)	CP13-10RP
11	Link Pin (Includes Rings) (2 Required)	CP13-10RP
12	Pump Valve (Complete) (3 Required)	* P1-12RP
13	Overload Valve (Complete)	* CP13-13RP
14A	Release Plunger (Complete)	* CP13-17RP
14B	Release Valve (Complete)	* PAC-18RP
15	Hand Pump Lever	CP13-23
16	Breather / Filter	P1-16
17	Hand Pump Lever Socket	CP13-9
18	Pump Link	CP13-12
19	Relief Valve (Complete)	* CP13-25RP
20	Foot Pump Lever	FCP12-9
21	Foot Pump Lever Return Spring	FCP13-23
22	Foot Release Lever Cam & Pin	FCP13-13RP
23	Foot Release Lever	FCP13-14
24	Hand Release Lever Pin (Includes Rings)	CP13-10RP
25	Hand Release Lever	CP13-14
26	Foot Release Lever Return Spring	FP1AC-95