

**Star Hydraulics, LLC**

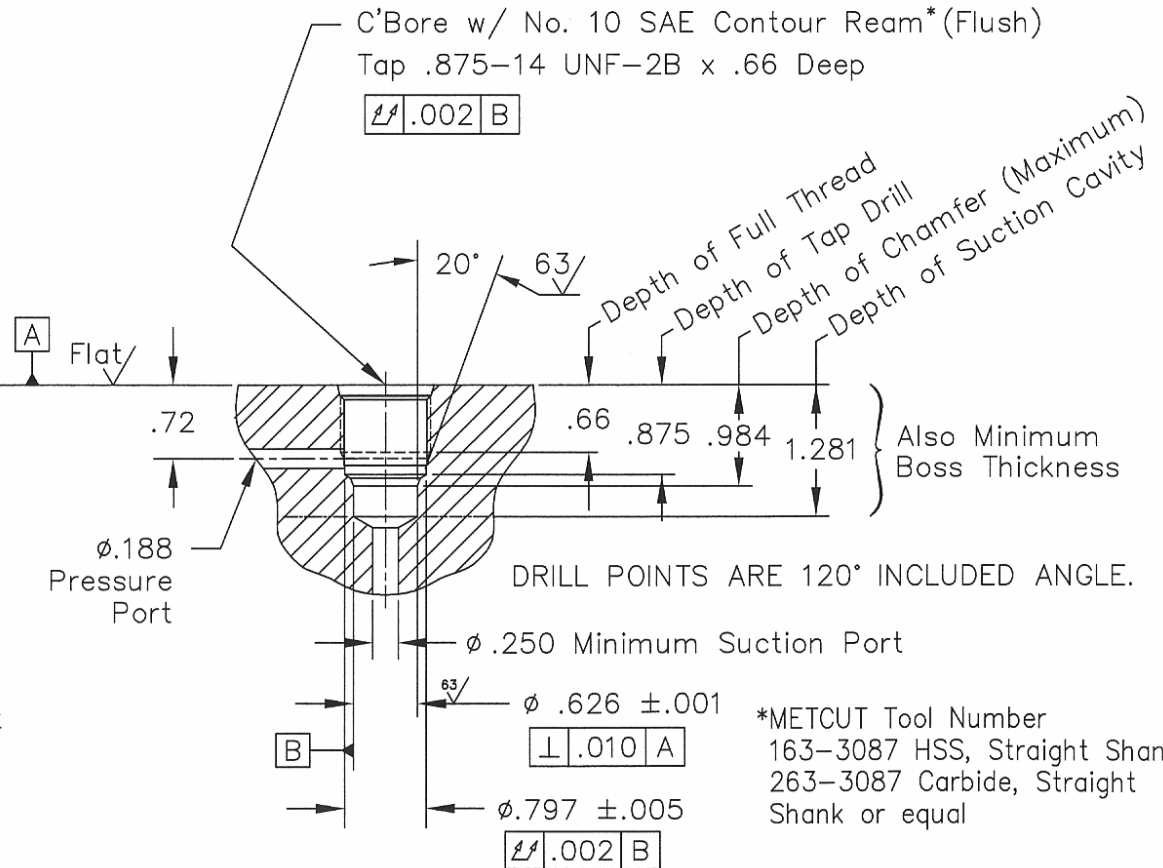
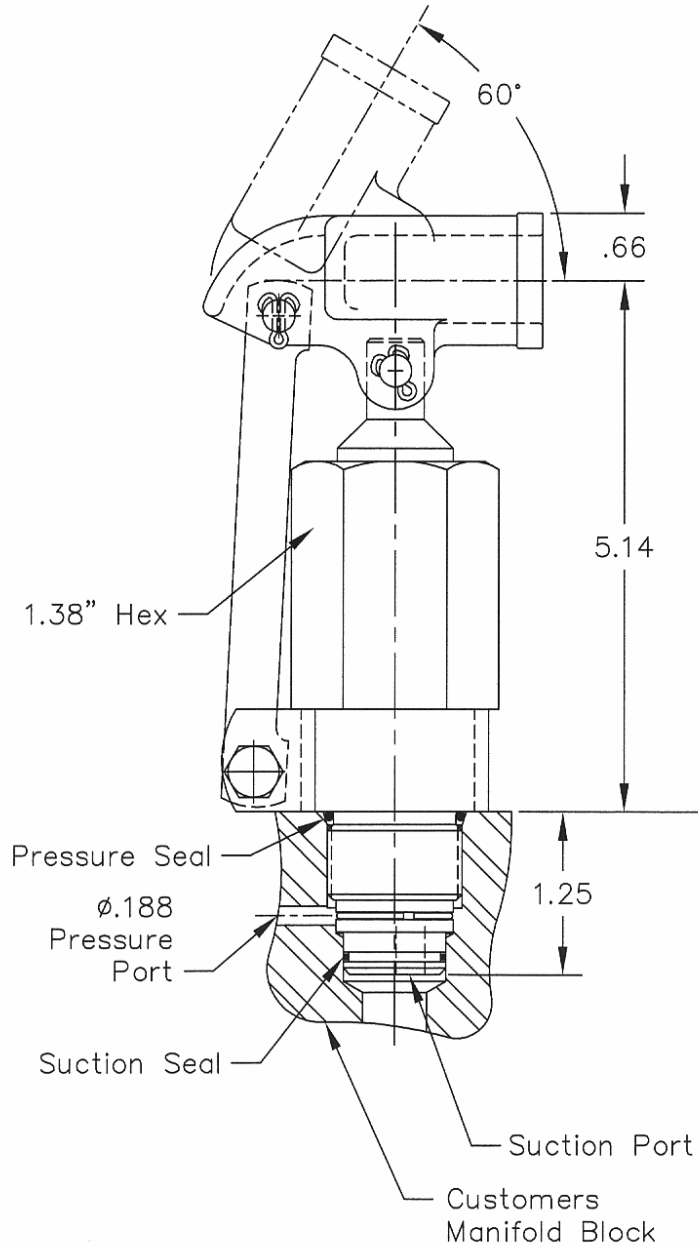
**Model MK2329**

**Manifold Mounting Hand Pump**

**.55 cu. In. Displacement per stroke**

**5000 PSI Max. Pressure**

**2 lb. Handle Force per 100 PSI.**



\*METCUT Tool Number  
 163-3087 HSS, Straight Shank  
 263-3087 Carbide, Straight  
 Shank or equal