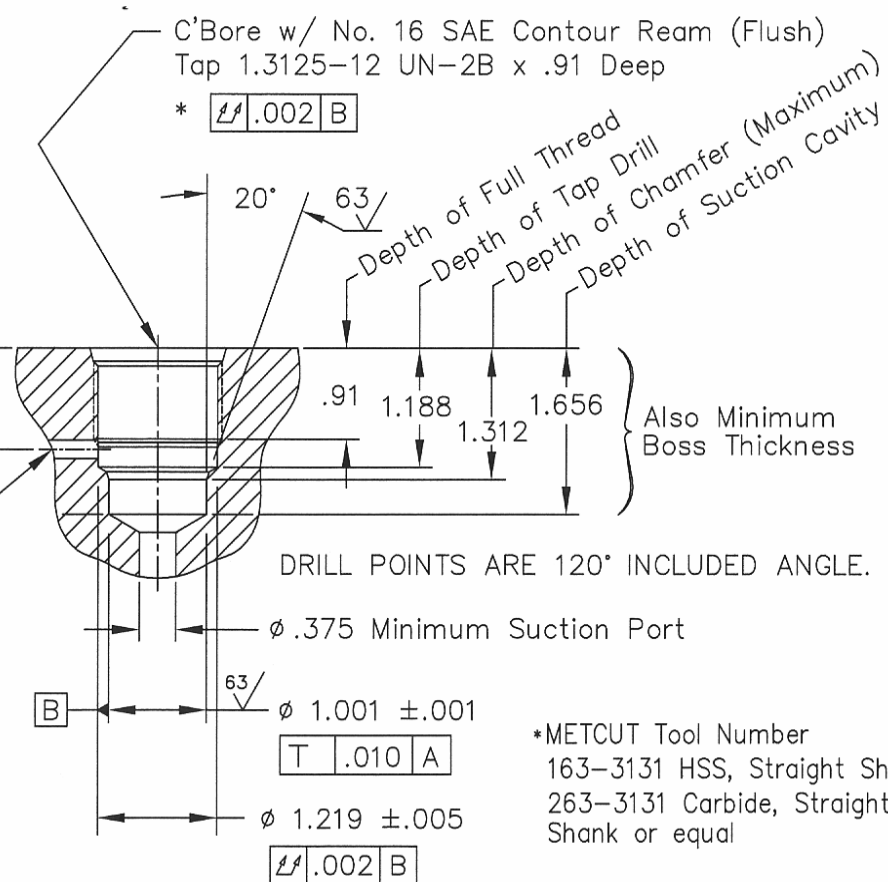
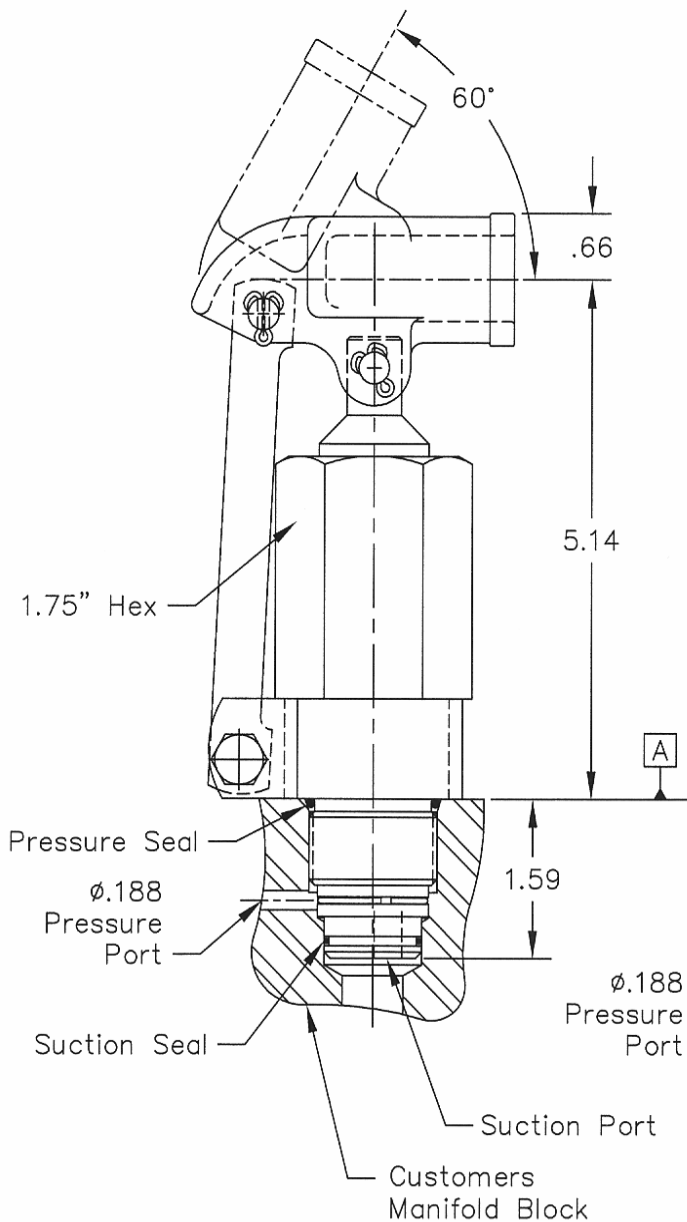


**Star Hydraulics, LLC Model MK2331
Manifold Mounting Hand Pump
1.20 cu. In. Displacement per stroke
1500 PSI Max. Pressure
5 lb. Handle Force per 100 PSI**



*METCUT Tool Number
163-3131 HSS, Straight Shank
263-3131 Carbide, Straight
Shank or equal