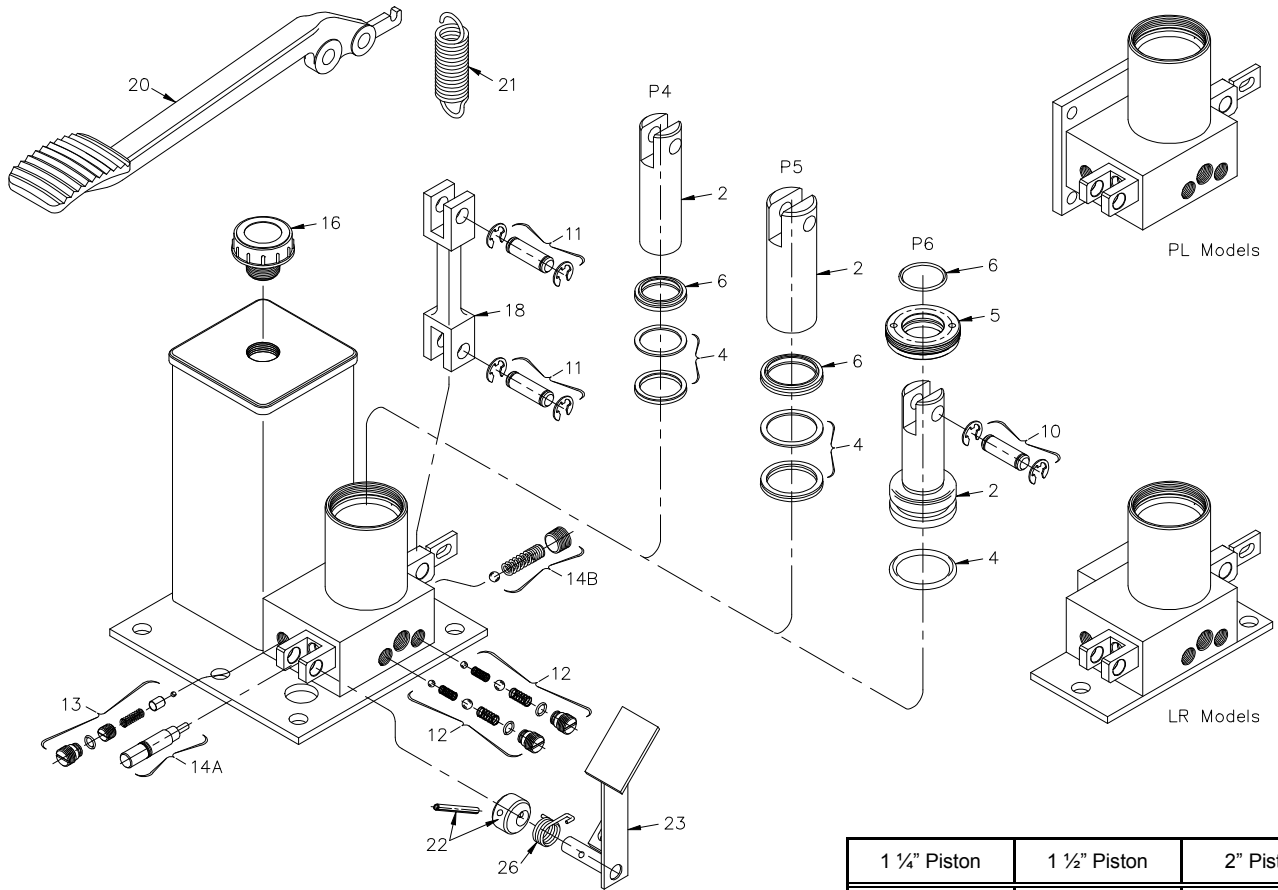


P SERIES

STAR Single Piston Cam Release Pumps, Foot Operated

1 1/4" - 1 1/2" - 2" Diameters



These models can be:

- Foot operated
- With or without reservoir
- Base or flange mounted

Please give the following information when ordering parts:

- Part Number
- Part Name
- Model No. of Pump

ITEM	PART NAME	1 1/4" Piston	1 1/2" Piston	2" Piston
		MODELS: FP4AC FP4AC-LR FP4AC-PL	MODELS: FP5AC FP5AC-LR FP5AC-PL	MODELS: FP6AC FP6AC-LR FP6AC-PL
	Repair Kit (Includes items marked *)	FP4AC-RK	P5AC-RK	P6AC-RK
2	Pump Piston	P4-2	P5-2	P6-2
4	Pump Piston Packing	* P4-4RP	* P5-4RP	* P6-4
5	Pump Packing Nut	---	---	CP15-7
6	Pump Piston Wiper	* P4-6	* P5-6	* CP15-4
10	Piston Pin (Includes Rings)	CP13-10RP	CP14-10RP	CP13-10RP
11	Link Pin (Includes Rings) (2 Required)	CP13-10RP	CP13-10RP	CP13-10RP
12	Pump Valve (Complete) (2 Required)	* P1-12RP	* P1-12RP	* P1-12RP
13	Overload Valve (Complete)	* P5-13RP	* P5-13RP	* P5-13RP
14A	Release Plunger (Complete)	* CP13-17RP	* CP13-17RP	* CP13-17RP
14B	Release Valve (Complete)	* PAC-18RP	* PAC-18RP	* PAC-18RP
16	Breather / Filter	P1-16	P1-16	P1-16
18	Pump Link	CP13-12	CP13-12	CP13-12
20	Foot Pump Lever	FCP12-9	FCP12-9	FCP12-9
21	Foot Pump Lever Return Spring	FCP13-23	FCP13-23	FCP13-23
22	Foot Release Lever Cam & Pin	FCP13-13RP	FCP13-13RP	FCP13-13RP
23	Foot Release Lever	FP1AC-14	FP1AC-14	FP1AC-14
26	Foot Release Lever Return Spring	FP1AC-95	FP1AC-95	FP1AC-95