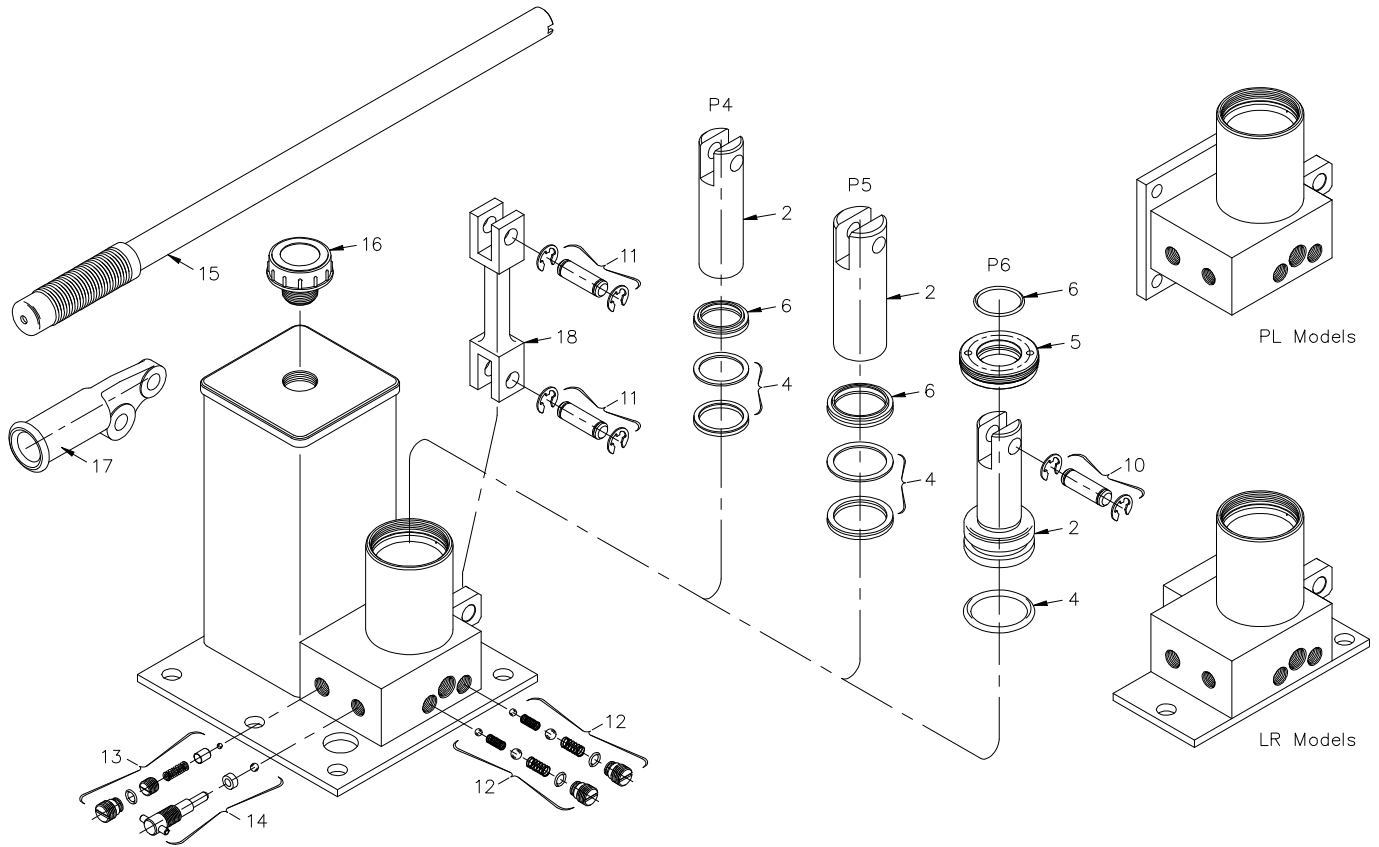


P SERIES

STAR Single Piston Screw Release Pumps

1 1/4" - 1 1/2" - 2" Diameters



1 1/4" Piston	1 1/2" Piston	2" Piston
MODELS: P4A P4A-LR P4A-PL	MODELS: P5A P5A-LR P5A-PL	MODELS: P6A P6A-LR P6A-PL

These models can be:

- Hand operated
- With or without reservoir
- Base or flange mounted

Please give the following information when ordering parts:

- Part Number
- Part Name
- Model No. of Pump

ITEM	PART NAME	PART NO.	PART NO.	PART NO.
	Repair Kit (Includes items marked *)	P4A-RK	P5A-RK	P6A-RK
2	Pump Piston	P4-2	P5-2	P6-2
4	Pump Piston Packing	* P4-4RP	* P5-4RP	* P6-4
5	Pump Packing Nut	---	---	CP15-7
6	Pump Piston Wiper	* P4-6	* P5-6	* CP15-4
10	Piston Pin (Includes Rings)	CP13-10RP	CP14-10RP	CP13-10RP
11	Link Pin (Includes Rings) (2 Required)	CP13-10RP	CP13-10RP	CP13-10RP
12	Pump Valve (Complete) (2 Required)	* P1-12RP	* P1-12RP	* P1-12RP
13	Overload Valve (Complete)	* P4-13RP	* P5-13RP	* P5-13RP
14	Release Valve (Complete)	* P1-3RP	* P1-3RP	* P1-3RP
15	Hand Pump Lever	P1-5	P1-5	P1-5
16	Breather / Filter	P1-16	P1-16	P1-16
17	Hand Pump Lever Socket	CP13-9	CP13-9	CP13-9
18	Pump Link	CP13-12	CP13-12	CP13-12