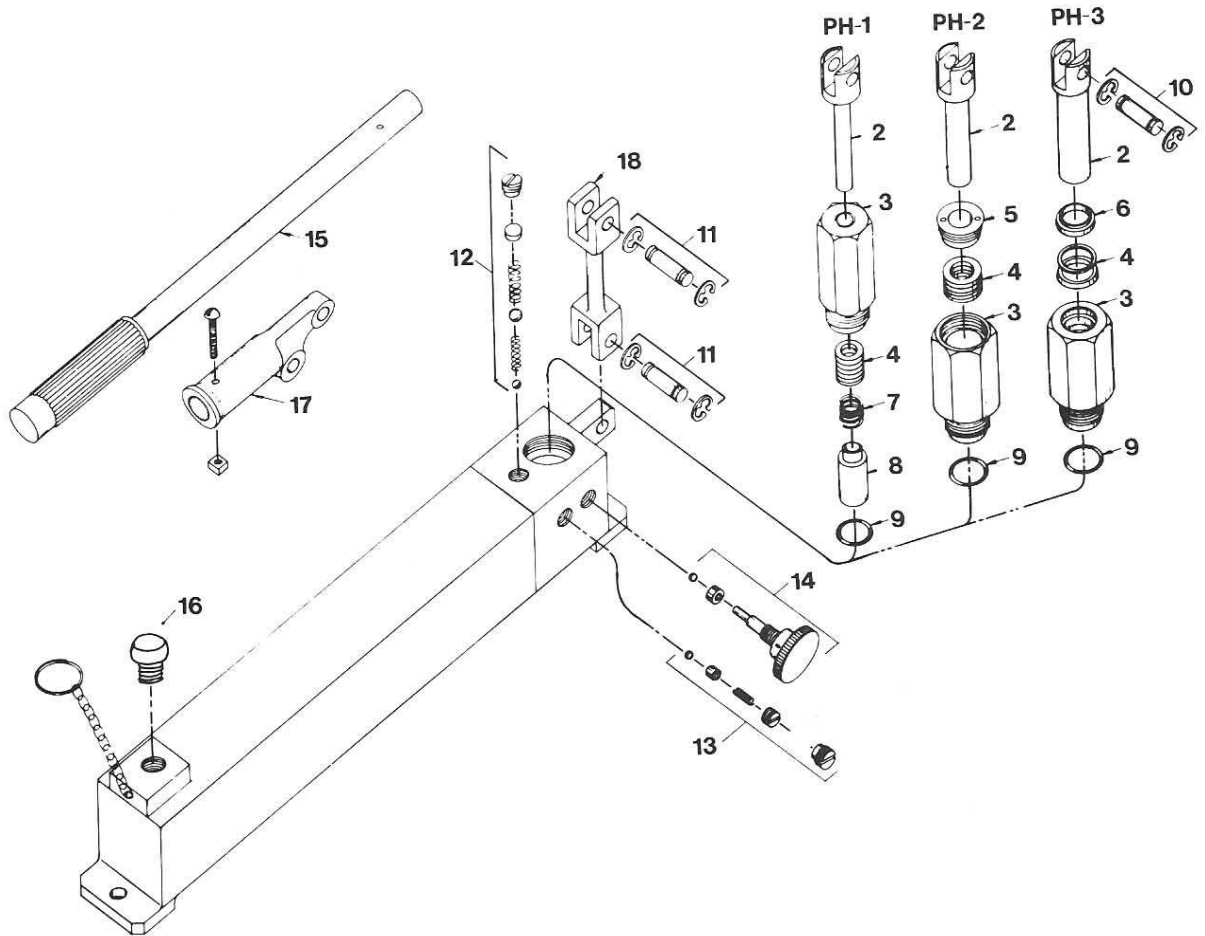


PH SERIES

STAR Single Piston Screw Release Pumps

1/2" — 3/4" — 1" Diameters



These models can be:

- hand operated
- with reservoirs

Please give the following information when ordering parts:

- Part Number
- Part Name
- Model No. of Pump

Item No.	Part Name	1/2" Piston	3/4" Piston	1" Piston
		MODELS: PH1 Part No.	MODELS: PH2 Part No.	MODELS: PH3 Part No.
	Repair Kit (incl parts with *)	PH1-RK	PH2-RK	PH3-RK
2	Piston.....	P1-7	P2-4	P3-2
3	Pump Barrel.....	P1-6	P2-2	P3-3
4	Pump Piston Packing.....	* P1-17	* P2-5	* P3-4
5	Pump Packing Nut.....	---	P2-3	---
6	Pump Piston Wiper.....	---	---	* P3-6
7	Pump Packing Spring.....	P1-18	---	---
8	Pump Piston Sleeve.....	P1-19	---	---
9	Pump Barrel O-Ring.....	* P1-20	* P1-20	* P1-20
10	Piston Pin (incl. Rings).....	CP13-10RP	CP13-10RP	CP13-10RP
11	Link Pin (incl Rings).....	CP13-10RP	CP13-10RP	CP13-10RP
12	Pump Valve (Complete).....	* P1-12RP	* P1-12RP	* P1-12RP
13	Overload Valve (Complete).....	* CP13-13RP	* P3-13RP	* P3-13RP
14	Release Valve (Complete).....	* PH-3RP	* PH-3RP	* PH-3RP
15	Lever Handle.....	PH-2	PH-2	PH-2
16	Breather Screw.....	P1-16	P1-16	P1-16
17	Pump Socket.....	PH-9	PH-9	PH-9
18	Pump Link.....	CP13-12	CP13-12	CP13-12
	Inserting Tool.....	* CP13-44	* CP13-44	* CP13-44