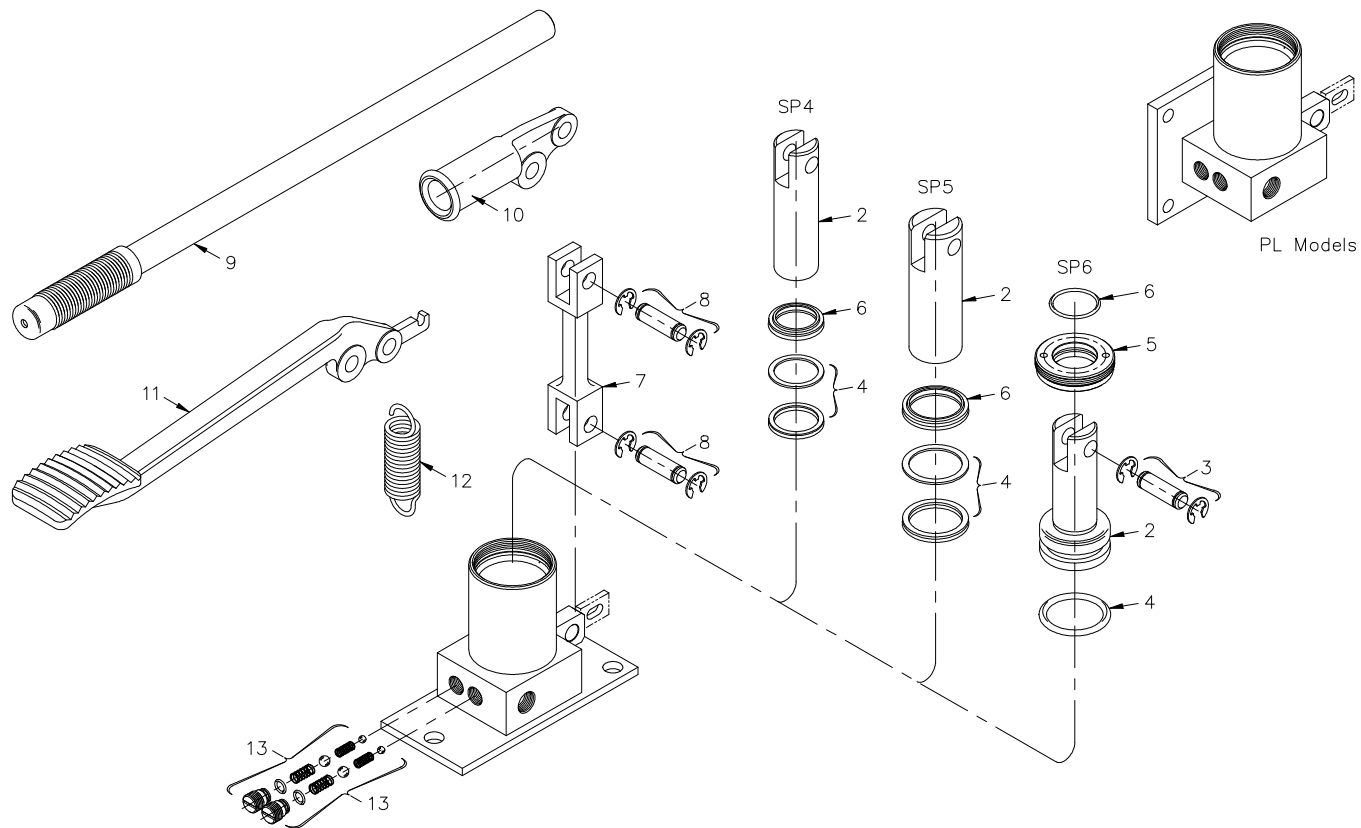


SP SERIES

STAR Single Piston Pumps

1 1/4" - 1 1/2" - 2" Diameters



These models can be:

- Hand or foot operated
- Without reservoir
- Base or flange mounted

Please give the following information when ordering parts:

- Part Number
- Part Name
- Model No. of Pump

ITEM	PART NAME	1 1/4" Piston	1 1/2" Piston	2" Piston
		MODELS: SP4A SP4A-PL FSP4A FSP4A-PL	MODELS: SP5A SP5A-PL FSP5A FSP5A-PL	MODELS: SP6A SP6A-PL FSP6A FSP6A-PL
		PART NO.	PART No.	PART No.
	Repair Kit (Includes items marked *)	SP4A-RK	SP5A-RK	SP6A-RK
2	Pump Piston	P4-2	P5-2	P6-2
3	Piston Pin (Includes Rings)	CP13-10RP	CP14-10RP	CP13-10RP
4	Pump Piston Packing	* P4-4RP	* P5-4RP	* P6-4
5	Pump Packing Nut	---	---	CP15-7
6	Pump Piston Wiper	* P4-6	* P5-6	* CP15-4
7	Pump Link	CP13-12	CP13-12	CP13-12
8	Link Pin (Includes Rings) (2 Required)	CP13-10RP	CP13-10RP	CP13-10RP
9	Hand Pump Lever	CP13-23	CP13-23	CP13-23
10	Hand Pump Lever Socket	CP13-9	CP13-9	CP13-9
11	Foot Pump Lever	FCP12-9	FCP12-9	FCP12-9
12	Foot Pump Lever Return Spring	FCP13-23	FCP13-23	FCP13-23
13	Pump Valve (Complete) (2 Required)	* P1-12RP	* P1-12RP	* P1-12RP