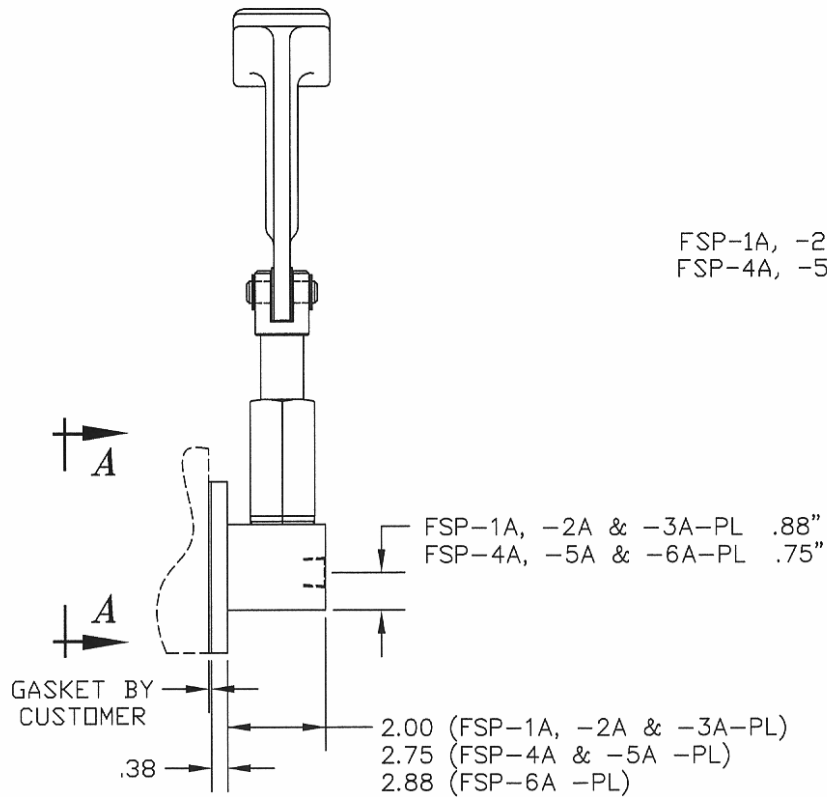


***HOLE PATTERN FOR  
RESERVOIR AND  
GASKET—VIEW A—A***

Star Hydraulics, LLC  
 FSP-PL Series Foot Operated Pumps  
 These pumps do not have threaded  
 inlet ports, they must be gasket  
 mounted to a reservoir



FSP-1A, -2A & -3A-PL 12.75  
 FSP-4A, -5A & -6A-PL 13.25

