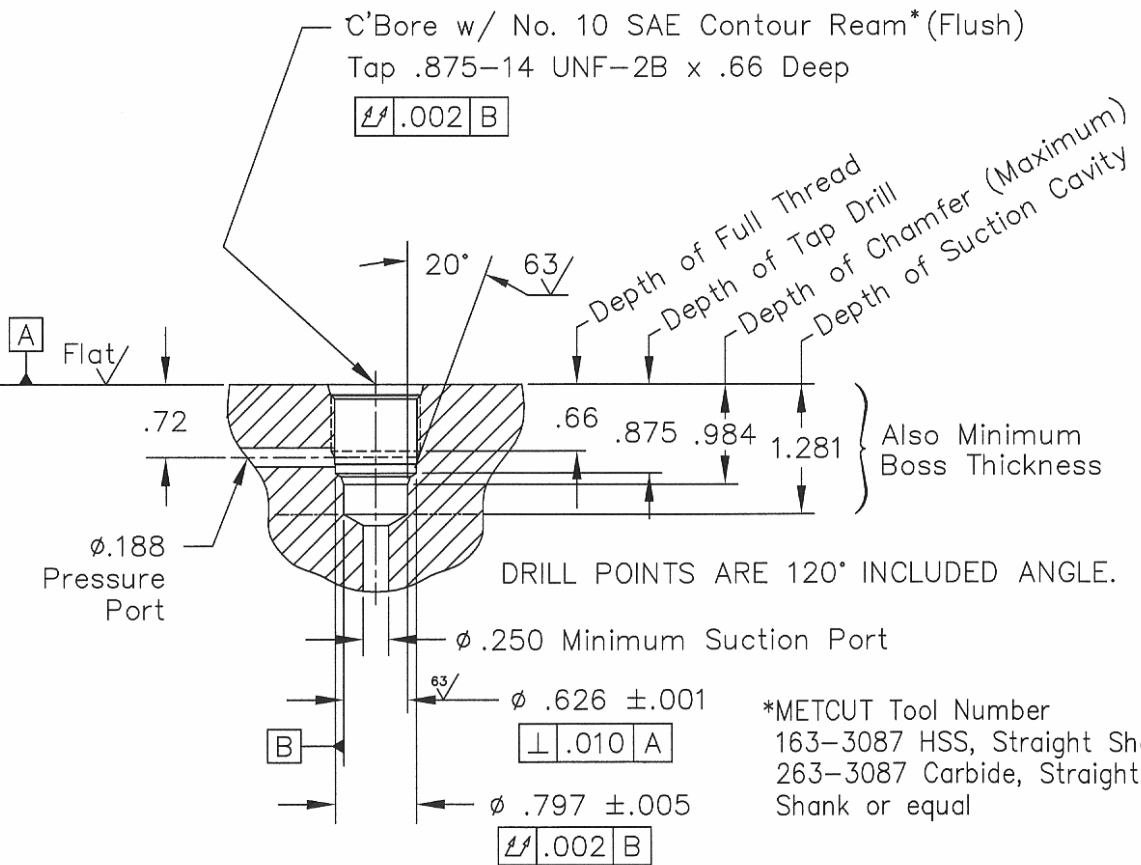
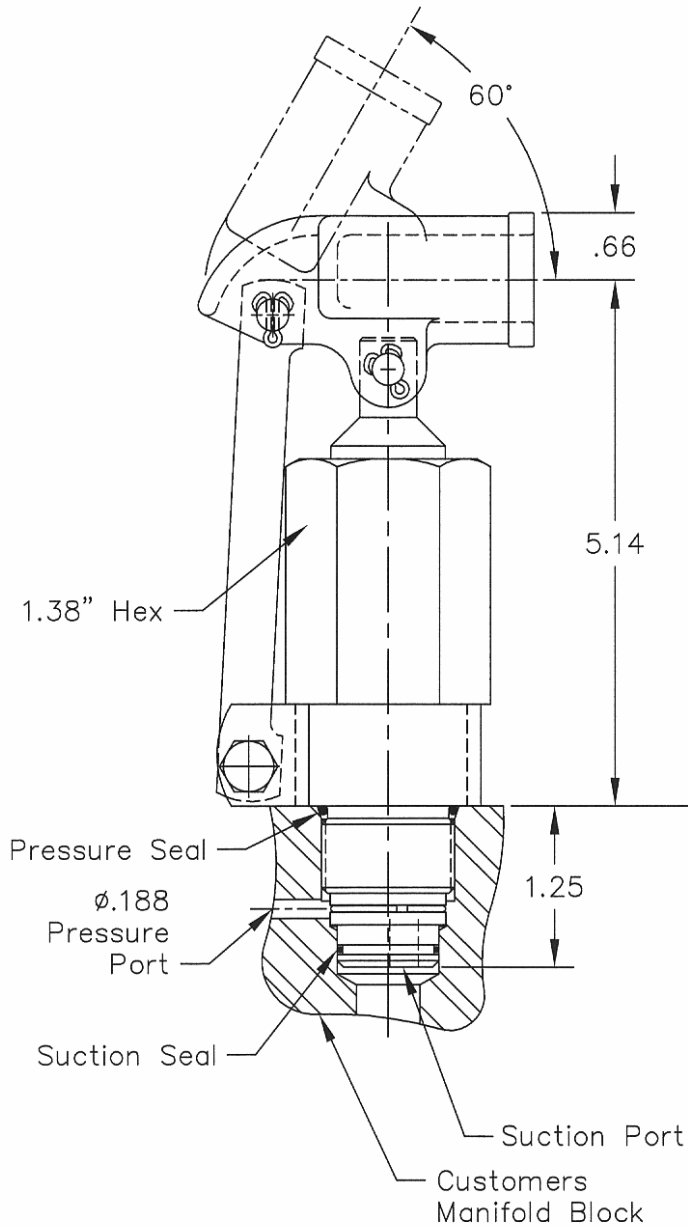


Star Hydraulics, LLC
Model MK2156
Manifold Mounting Hand Pump
.55 cu. In. Displacement per stroke
2800 PSI Max. Pressure
3 lb. Handle Force per 100 PSI.



*METCUT Tool Number
 163-3087 HSS, Straight Shank
 263-3087 Carbide, Straight
 Shank or equal