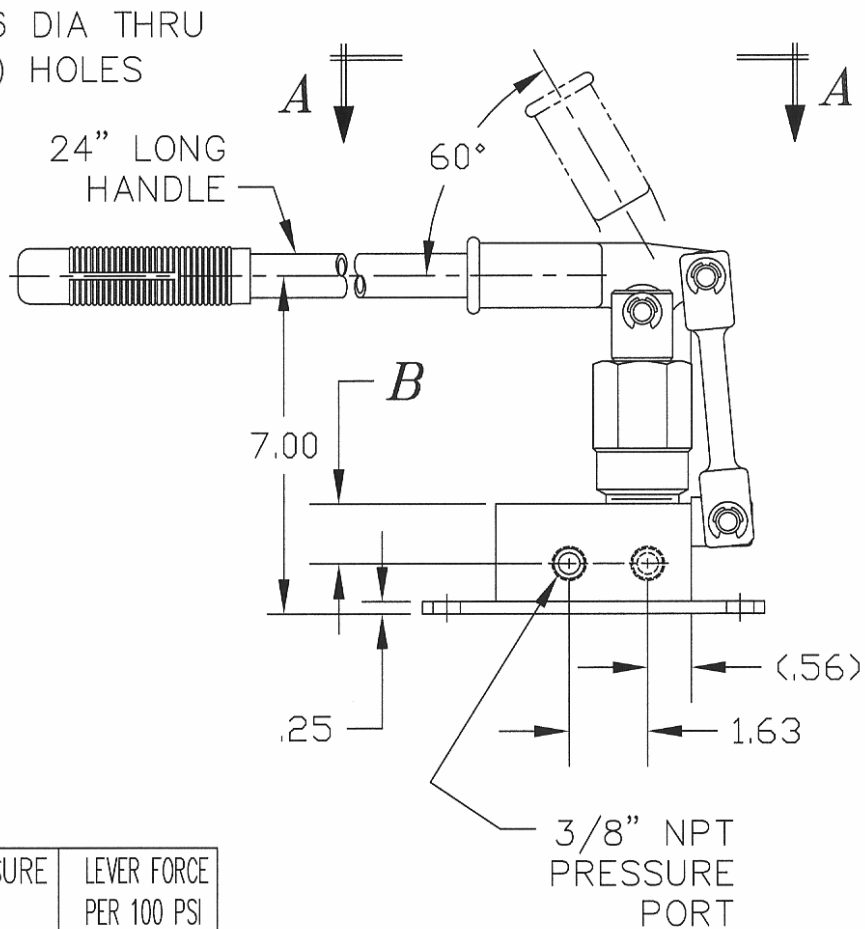


VIEW A-A
ROTATED 90° CCW



MODEL	"A"	"B"	DISPLACEMENT	PRESSURE	LEVER FORCE PER 100 PSI
SP1A	7.00	.88	.29 CU"	10,000	1.23
SP2A	7.00	.88	.66 CU"	5,000	2.8
SP3A	7.00	.88	1.18 CU"	2,500	4.9
SP4A	6.50	.75	1.84 CU"	1,500	7.7
SP5A	6.50	.75	2.65 CU"	1,000	11.0
SP6A	6.50	.75	4.71 CU"	500	20.0

SPECIFICATIONS:
HAND PUMP, SP_A SERIES
NO RELEASE OR OVERLOAD
BASE PLATE MOUNTED
NET WEIGHT, 10 lb

Star Hydraulics, LLC