



FEATURES

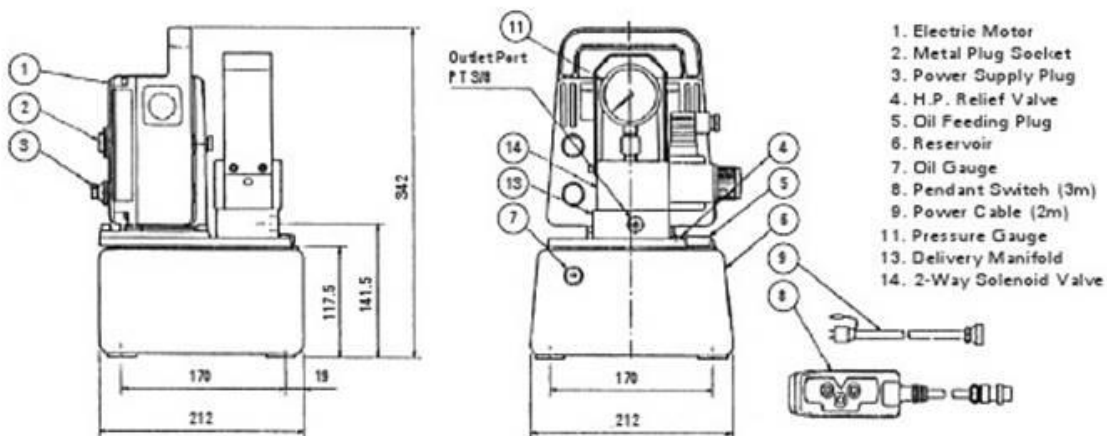
- This series of Electric pumps deliver hydraulic fluid to pressures up to 10,000 psi (70 Mpa.) using a .87 HP, single phase commutator insulation "E" type motor.
- The portable design of these 40 to 50 Lb. pumps comes with a carrying handle and remote pendant switches.
- Options for this pump include adjustable pressure regulator, pressure switch, gauges and valves.

These portable electric pumps feature a 2 stage operation that provides a high flow rate of 153 cu. In. at first stage and up to 1015 psi. They can be configured in a variety of ways to activate single or double acting cylinders. The base models utilize a remote pendant along with a .80 gallon reservoir. A larger 1.6 gallon reservoir is available as well. This pump can be provided with manual or needle valves in a holding or return type configuration. Using a 4 way valve it can also be configured for double-acting cylinders.

STE-65 Series

Model Number	Motor (50/60 Hz)				Performance				Reservoir	
	Type	AC (V)	Output (HP)	Revol. (rpm)	Max Press (psi)		Output (CU-in/min)		Oil Capacity gal.	Usable Capacity gal.
					2nd stage	1st stage	2nd stage	1st stage		
					High	Low	High	Low		
STE-65	E	110/220	.87	2,000	10,000	1,015	26	244	0.8	0.53
STE-65L	E	110/220	.87	2,000	10,000	1,015	26	244	1.32	1.05
STE-65-4	E	110/220	.87	2,000	10,000	1,015	26	244	0.8	0.53
STE-65-4L	E	110/220	.87	2,000	10,000	1,015	26	244	1.32	1.05

Dimensions for STE-65-4:



STE-65 Electric Pump

Typical System Connections:

Basic single-acting cylinder use:

- Hose + coupler (if needed) + cylinder
- Gauge adapter + gauge + hose + coupler (if needed) + cylinder

Basic double-acting cylinder use:

- Hose (2) + couplers (2) if needed + cylinder
- Gauge adapter + gauge + hoses (2) + couplers (2) if needed + cylinder

Accessory Part Numbers:

HSH-0375-length:	(1.5, 2, 3, 6, 8 or 18 feet) – Hydraulic hoses
FIT-CPL-0375:	3/8" NPT Coupler
FIT-ELB45-0375:	3/8", 45 degree Elbow
FIT-ADP-2T-0375:	3/8" Double tee adapter
FIT-HEX-MXM-0375:	3/8" Nipple
GAGE-ADP-0250X0375:	Gauge adapter
10KGAGE2500:	2 1/2" 10,000 psi Gauge
FRL-xxxx:	Air Filter, regulator, lubricator (xxxx = sizes from 0250 to1000) for (1/4", 3/8", 1/2" or 1" port)
FRL-SVP-0250:	1/4" shut-off valve and oil-free port